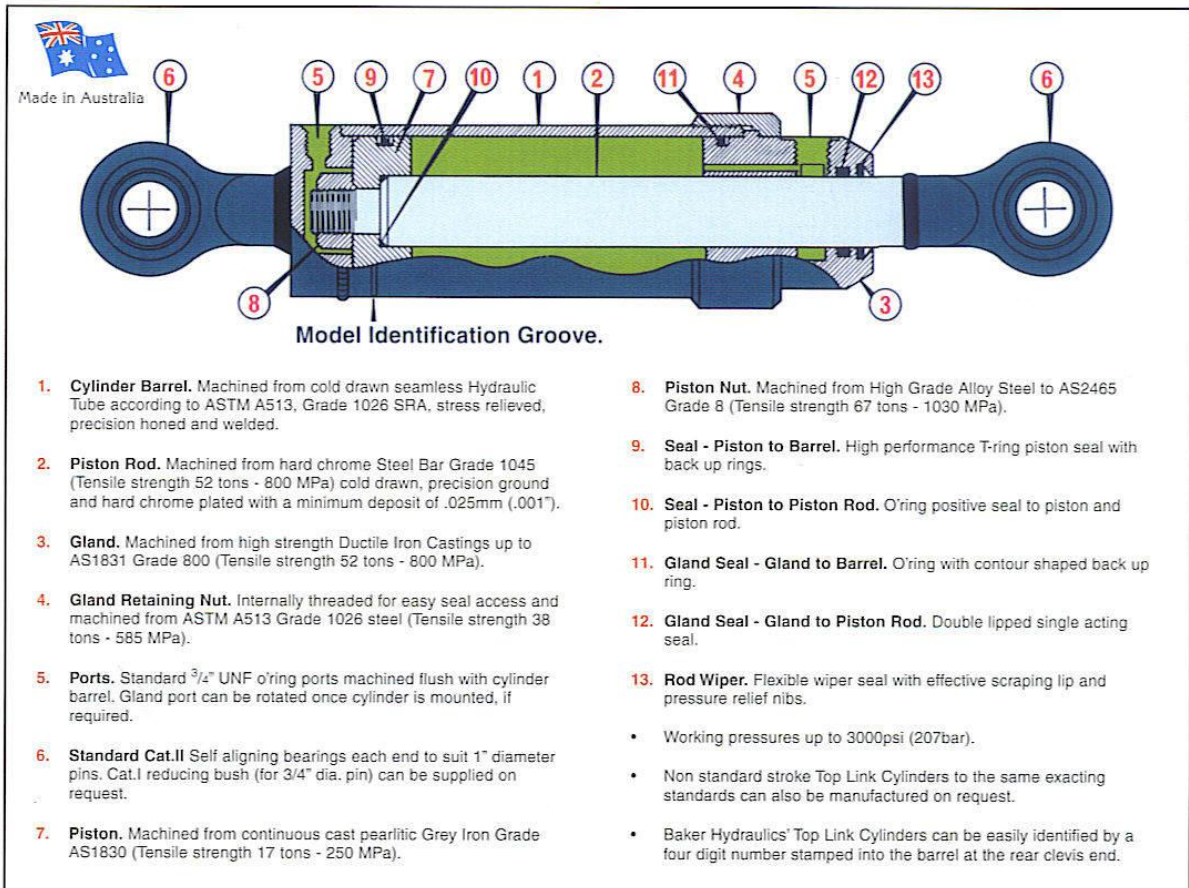
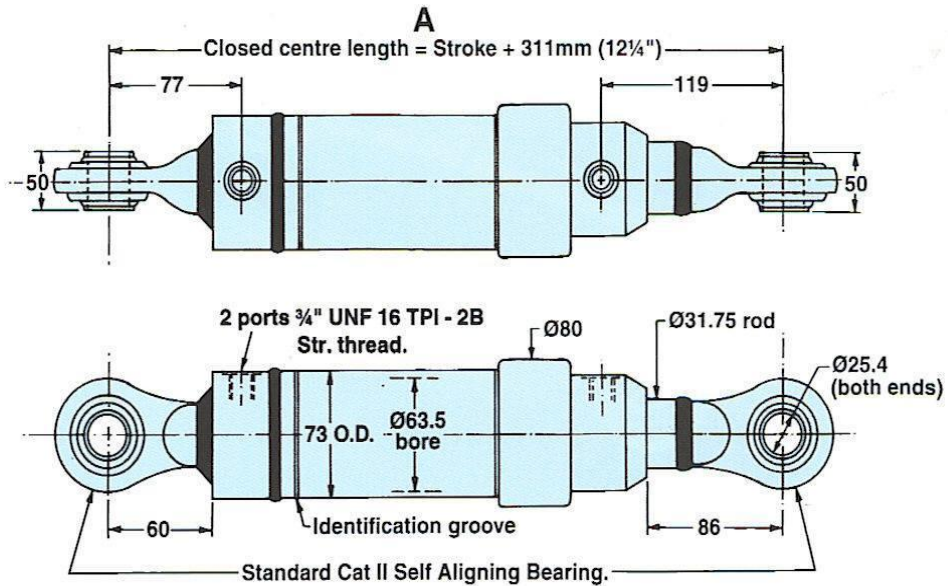


Baker Hydraulic's "Top Link" Hydraulic Cylinders self aligning bearings at both ends, especially designed to facilitate attachment to 3 point linkage equipment. have been developed from the proven "Apex II" design and come complete with standard Cat.II linkage equipment.



# INSTALLATION DIMENSIONS

# TOP LINK



| Bore<br>x<br>Stroke<br>Inches (mm) | A<br>Closed<br>Centres<br>Inches (mm) | Approx.<br>Mass<br>Kg |
|------------------------------------|---------------------------------------|-----------------------|
| 2.5" x 8" (203)                    | 20.25" (514)                          | 10                    |
| 2.5" x 12" (305)                   | 24.25" (616)                          | 11                    |

Note: Due to product improvement specifications can change without notice.



10-14 MAUD STREET, NEWSTEAD, 4006  
P.O. BOX 50, FORTITUDE VALLEY, 4006  
Email: sales@industrialhyd.com.au

PHONE: (07) 3854 1232

FAX: (07) 3252 2346