



# Banlaw Product Catalogue



## A word from the Managing Director

I wish to thank you for your interest in Banlaw and for acquiring this copy of our product catalogue.

For over four decades, Banlaw has been creating fluid management products of superior quality, as well as delivering hydrocarbon projects for worksites all over the world. The team at Banlaw are all about creating solutions that put you in control of your fluid resources. Our offerings help you effectively manage fuels, oils, and other industrial fluids as follows:



Fixed and mobile fluid storage and built infrastructure solutions



Measurement, access control, and data management technologies



Cleaner, safer, and more efficient fluid transfer and evacuation products

What Banlaw offers is a totally unique capability set. Nobody else builds the facilities, the technologies, and the hardware products as well. With Banlaw, it's all synergised, all connected, all designed from inception to work optimally together. It's all guaranteed to deliver replicable outcomes you can bank on - peace of mind.

Here at Banlaw, we believe in building products how they should be: well-engineered and precision manufactured from hard-wearing materials. In this product catalogue, you'll discover over 700 of them. Refuelling, fluid transfer, overflow protection, and fuel management devices to immediately upgrade your business's economic, environmental, and safety performance.

If you are serious about maximising your productivity whilst protecting your employees, your equipment and the environment, get future-ready with Banlaw.

Committed to your success,

**Bill Clifton**



Banlaw has been an Original Equipment Manufacturer (OEM) of industrial fluid management solutions for over 40 years.



QMS Certification Services



QMS Certification Services



QMS Certification Services

# Contents

A word from the Managing Director ..... 2

Our Capabilities ..... 4

**Refuelling** ..... 6

System Diagram ..... 7

**Dry Break Nozzles** ..... 8

800 Series Nozzle ..... 9

1000 Series Nozzle ..... 10

Underground Nozzle ..... 11

Nozzle Holsters and Anchors ..... 12

**Dry Break Receivers** ..... 13

800 Series Receiver ..... 14

Check Valve Receiver ..... 15

1000 Series Receiver ..... 16

Underground Receiver ..... 17

**Shells** ..... 18

Bolt Mount Shell ..... 19

Weld Mount Shell ..... 19

**Vents & Breathers** ..... 20

Remote Breather 3µm ..... 21

Fine Filtered Vent 3µm ..... 22

Filtered Vent 10µm ..... 23

Unfiltered Vent ..... 24

Unfiltered Vent - Low Profile ..... 25

Vent Adaptor ..... 25

**Swivels** ..... 26

Dry Break Swivel ..... 27

Splash Fill Swivel ..... 27

**Break Away Valves** ..... 28

**Overfill Protection** ..... 29

System Diagram ..... 30

**FillSafe Power** ..... 31

Controller ..... 32

Level Switch ..... 33

Electric Actuated Valve ..... 34

**FillSafe Zero** ..... 35

Flow Control Valve 2" ..... 36

Flow Control Valve 3" ..... 37

Flow Control Valve 4" ..... 38

Vented Level Sensor ..... 39

Level Sensor ..... 40

Non-Level Sensing Vent ..... 41

Pilot Line ..... 42

Splash Fill Float Valve ..... 43

FillSafe Zero Adaptor ..... 44

**Fluid Transfer** ..... 46

System Diagram ..... 47

**Flush Face** ..... 48

Size 0 - Silver ..... 49

Size 1 - Brass ..... 50

Size 2 - Gold ..... 51

Size 3 - Red ..... 52

Size 4 - Black ..... 53

Size 5 - Green ..... 54

Size 6 - Blue ..... 55

Size 7 - Purple ..... 56

Size 8 - Platinum/Grey ..... 57

Size 9 - Bronze/Tan ..... 58

Size 10 - Orange ..... 59

Size 11 - Silver ..... 60

Size 12 - Pink ..... 61

Evacuation ..... 62

Bulk Fluid Transfer ..... 63

Grease Transfer ..... 64

**Classic** ..... 65

Coolant ..... 66

Crankcase ..... 67

Hydraulic ..... 68

Transmission ..... 69

Push-to-connect ..... 70

R Series ..... 71

Grease ..... 72

**Fuel Management** ..... 73

System Diagram ..... 74

**Field Controllers** ..... 75

ResTrack Xpress ..... 75

Controller Accessories ..... 75

**Dry Break Auto ID** ..... 76

Dry Break Nozzle - Auto ID ..... 77

Dry Break Receiver - Auto ID ..... 78

Wireless Swivel - Auto ID ..... 79

FillSafe Zero - Auto ID ..... 79

**Splash Fill Auto ID** ..... 80

Splash Fill Nozzle - Auto ID ..... 81

Splash Fill Reader - Auto ID ..... 81

Click on any subject to go directly to that page

Splash Fill Vehicle Tag - Auto ID ..... 81

**Long Range RFID** ..... 82

**Banlaw On-Board Device** ..... 82

**Tools & Spare Parts** ..... 83

**Tools** ..... 84

Refuelling ..... 84

Receiver Socket ..... 84

**Fluid Transfer** ..... 84

Lube Central Socket ..... 84

**Overfill Protection** ..... 84

Flow Control Valve Socket ..... 84

Flow Control Valve Spanner ..... 84

**Spare Parts** ..... 85

Refuelling ..... 85

Refuelling Receiver Cap ..... 85

Nozzle Repair Kit ..... 85

Break Away Valve Repair Kit ..... 85

Break Away Valve Hose Adaptor ..... 87

Check Valve Receiver Kit ..... 85

Vent Servicing Kit ..... 85

**Overfill Protection** ..... 86

Flow Control Valve Servicing Kit ..... 86

**Fuel Management** ..... 87

Wireless Swivel - Auto ID ..... 87

Swivel - Auto ID ..... 87

Break Away Valve - Auto ID ..... 87

Break Away Valve Hose Adaptor ..... 87

## Key

Throughout this document, on the right-hand edge of tables, these icons provide quick visual indication of the following: Rail specific products Cold temperature specific products

Banlaw are the Fluid Asset Intelligence people. We deliver connected and synergised Flow Logistics infrastructure, Resource Tracking technologies, and Safe Filling hardware products globally.

Our focus is on helping our clients mitigate business risk and solving fluid management problems with safe, smart, well-engineered solutions that ensure positive environmental outcomes and a rapid return on investment.

## FlowLogix

Engineered fluid management infrastructure, site services, as well as fixed and mobile fluid storage solutions:

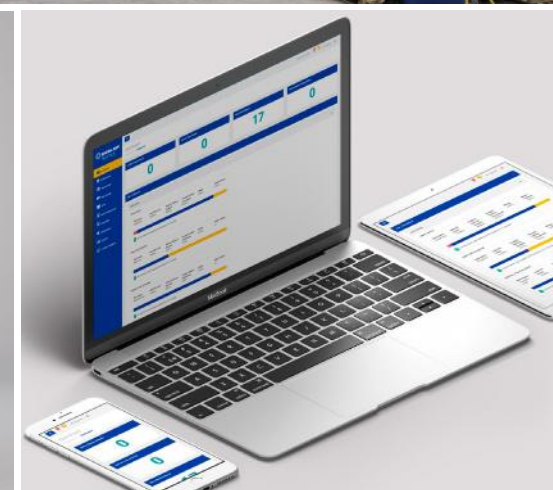
- ▶ **Turn-key engineered solutions** for bulk storage, tank gauging, pumping, filtration, metering, dispensing, stock rotation, and process automation
- ▶ **Vehicle-mounted fluid storage** and technology solutions for new or retrofitted service carts, and fuel trucks
- ▶ **Ready-to-deploy fuel and lubricant skids**, loading arms, filtration units, self-bunded tanks, through to 'fuel-farm-in-a-box'



## ResTrack

Connected technologies for managing security, access control, monitoring and reconciliation of fluids, and fleet utilisation data:

- ▶ **Secure Auto ID hardware** for identifying machines and equipment users, authorising access, and collecting trustworthy data
- ▶ **Robust Field Controllers** for managing user interface and system functionality at fixed or mobile maintenance, refuelling, or fluid storage facilities on industrial worksites
- ▶ **Enterprise-class Fluid Resource Management Software** hosted locally or in the cloud to deliver real-time alerts, reporting, and analytics for operational certainty and cost savings



# FillSafe

Robust fluid transfer and evacuation products for safer, cleaner, and more efficient filling and servicing of industrial equipment:

- ▶ **Tank overfill prevention kits** for all flow rates and fluid types, including oils, diesel, and other maintenance fluids
- ▶ **Dry break refuelling hardware** for safely, rapidly, and automatically filling vehicles and stationary tanks and maintaining fuel cleanliness
- ▶ **Fluid transfer and evacuation couplings** for the minimisation of fluid contamination risk, and dramatic improvements to maintenance process efficiency, cleanliness, and simplicity for operators



With Banlaw solutions, you can rest assured that every drop will end up where you need it, when you need it.

Trusted to deliver improved economic, environmental, and safety performance globally for over 40 years.



# Refuelling

Banlaw refuelling products have provided users with industry-leading flow rates, durability, and operator safety for over 40 years.

Our Dry Break refuelling equipment is the most reliable on the market.



Go to

[Dry Break Nozzles](#)

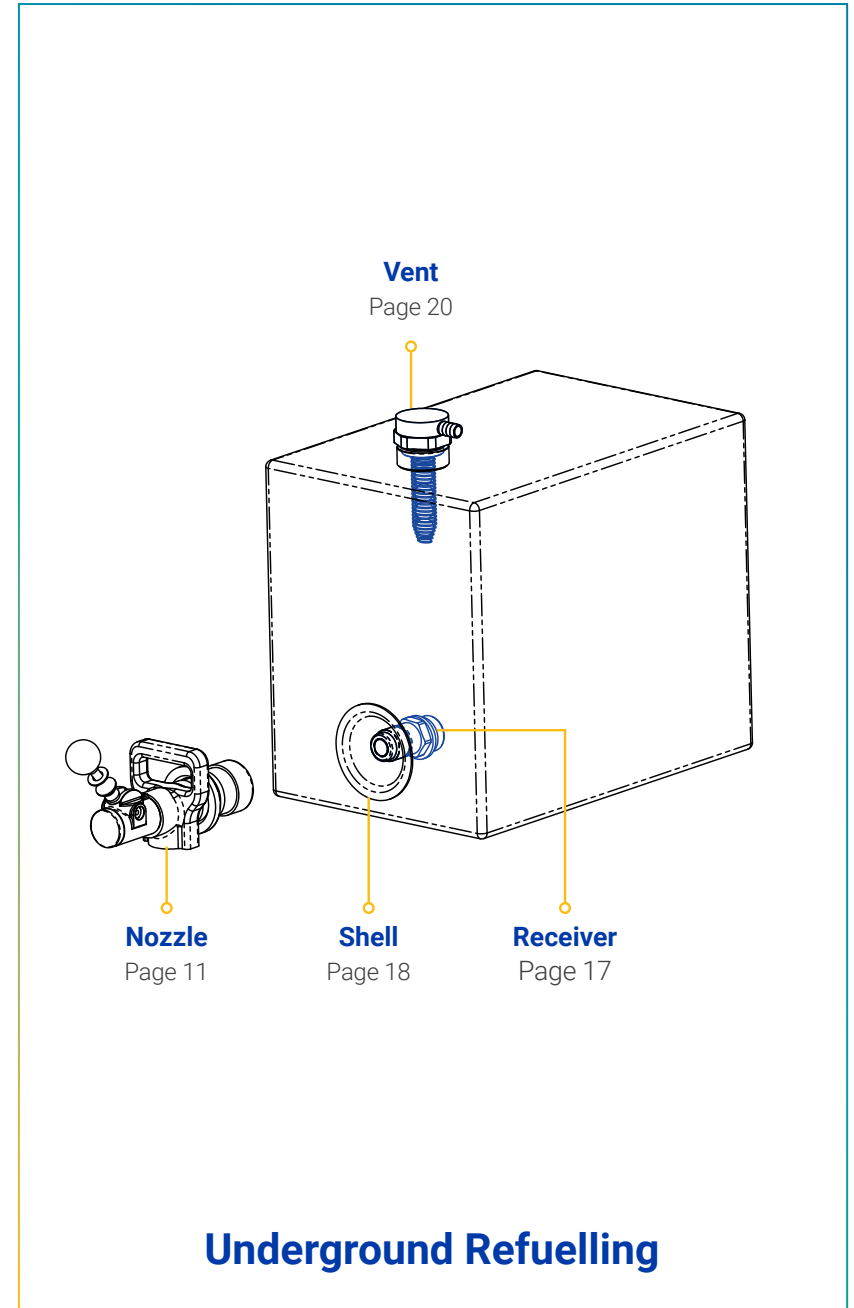
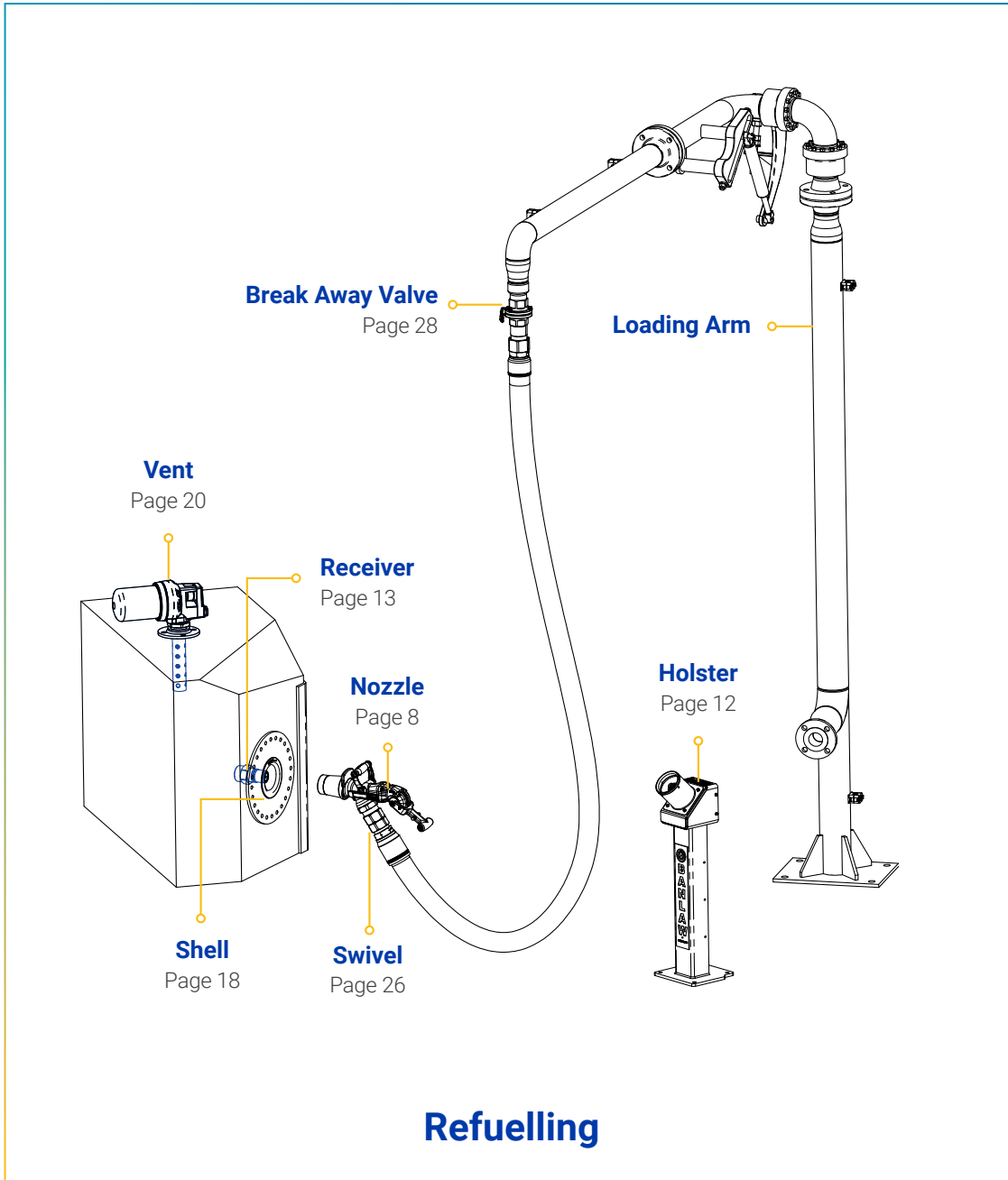
[Dry Break Receivers](#)

[Shells](#)

[Vents & Breathers](#)

[Swivels](#)

[Break Away Valves](#)



Refuelling

# Dry Break Nozzles

Banlaw refuelling nozzles offer the highest reliable flow rate capability, and have a proven safety record.

The dependable ball locking mechanism ensures our nozzles cannot 'fly off', and Dry Break design minimises leaks and spills.

Our nozzles are predominantly of all-metal construction which dramatically extends their serviceable life.

A global network of Authorised Nozzle Repairers means timely and cost-efficient repair and refurbishment services are always close at hand, ensuring superior total cost of ownership.

## Flow Rates

800 Series nozzles Flow Rate:  
90-800lpm (24-211gpm)

1000 Series nozzles Flow Rate:  
400-1000lpm (106-264gpm)

Underground Nozzle Flow Rate:  
30-300lpm (8-79gpm)

Go to

[800 Series Nozzle](#)

[1000 Series Nozzle](#)

[Underground Nozzle](#)

[Nozzle Holsters and Anchors](#)

## Nozzle Spring Settings

**Medium** – The industry standard pressure setting, most commonly used.

**Light** – Shuts off when sensing a lighter back pressure, suitable for specialist situations such as filling large thin-walled tanks, where internal pressure must be minimised.

**Heavy** – Overcomes flow resistance from multiple fuelling components on the machine-side and long remote-fill pipework. Discuss with Banlaw prior to considering heavy nozzles on your site.

Banlaw produce Dry Break Nozzles in a variety of spring settings. This allows refuelling pressure settings for a site, or for a specific machine to be customised, overcoming premature shutoff or other pressure-related issues.

TOP TIP

Refuelling problems related to a specific machine should be overcome by changing the receiver, not the nozzle, in most cases.



Left to right: 1000lpm, Hydraulic, Rail, 800lpm (BNM800), Bulk Fill, Underground

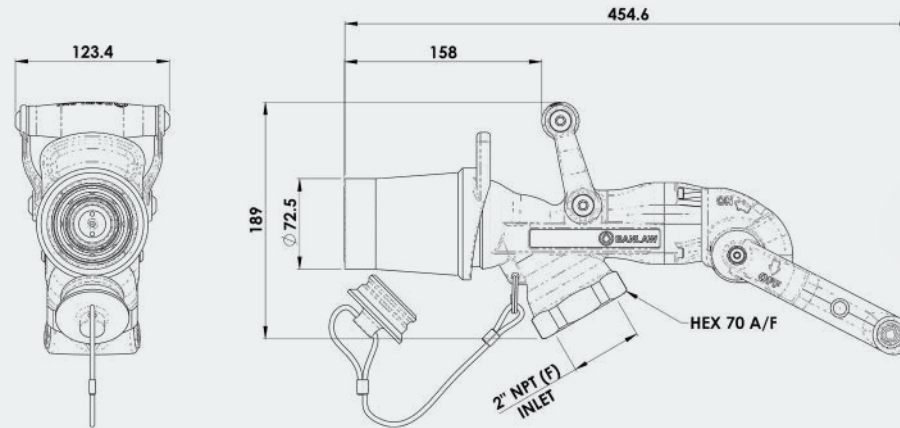


## 800 Series Nozzle

Our 800 Series refuelling nozzles are the natural choice for most high flow, industrial diesel filling applications.

They incorporate automatic shut-off functionality when installed with correctly matched receivers and tank vents, and are suitable for use with diesel fuel.

The 800 Series connects with the most commonly encountered Dry Break receiver size. It is therefore completely interchangeable with other equipment brands, simplifying the process of upgrading to a Banlaw solution.



BNM800M

Note: Our Rail and Hydraulic Nozzles will only couple with matched Rail or Hydraulic Receivers. Rail products are specific to that industry.

Part Number	Product Description	Tech Specs	Shipping - Dimensions & Weight	Items Included
BAMS5	800lpm Series Diesel Refuelling Nozzle - Bulk Fill	* 2" NPT(F)	27x16x12cm   2.25kg	Includes Plug
BARS5	800lpm Series Diesel Refuelling Nozzle - Rail Bulk Fill	* 2" NPT(F)	27x16x12cm   2.35kg	Includes Plug 
BAHS5	800lpm Series Diesel Refuelling Nozzle - Hydraulic Bulk Fill	* 2" NPT(F)	27x16x12cm   2.25kg	Includes Plug
BNM800L	800lpm Series Diesel Refuelling Nozzle - Light Spring Setting	2" NPT(F), LT	48x20x12cm   3.9kg	Includes Plug
BNM800ML	800lpm Series Diesel Refuelling Nozzle - Medium/Light Spring Setting	2" NPT(F), MED LT	48x20x12cm   3.9kg	Includes Plug
BNM800M	800lpm Series Diesel Refuelling Nozzle - Medium Spring Setting	2" NPT(F), MED	48x20x12cm   3.9kg	Includes Plug
BNM800MH	800lpm Series Diesel Refuelling Nozzle - Medium/Heavy Spring Setting	2" NPT(F), MED HVY	48x20x12cm   3.9kg	Includes Plug
BNM800H	800lpm Series Diesel Refuelling Nozzle - Heavy Spring Setting	2" NPT(F), HVY	48x20x12cm   3.9kg	Includes Plug
BNR800L	800lpm Series Diesel Refuelling Nozzle - Light Spring Setting - RAIL	2" NPT(F), LT	48x20x12cm   3.9kg	Includes Plug 
BNR800ML	800lpm Series Diesel Refuelling Nozzle - Medium/Light Spring Setting - RAIL	2" NPT(F), MED LT	48x20x12cm   3.9kg	Includes Plug 
BNH800L	800lpm Series Diesel Refuelling Nozzle Hydraulic - Light Spring Setting	2" NPT(F), LT	48x20x12cm   3.9kg	Includes Plug
BNH800M	800lpm Series Diesel Refuelling Nozzle Hydraulic - Medium Spring Setting	2" NPT(F), MED	48x20x12cm   3.9kg	Includes Plug
BNM800L-CT	800lpm Series Diesel Refuelling Nozzle - Light Spring Setting - Cold Temp	2" NPT(F), LT	48x20x12cm   3.9kg	Includes Plug 
BNM800ML-CT	800lpm Series Diesel Refuelling Nozzle - Medium/Light Spring Setting - Cold Temp	2" NPT(F), MED LT	48x20x12cm   3.9kg	Includes Plug 
BNM800M-CT	800lpm Series Diesel Refuelling Nozzle - Medium Spring Setting - Cold Temp	2" NPT(F), MED	48x20x12cm   3.9kg	Includes Plug 
BNM800MH-CT	800lpm Series Diesel Refuelling Nozzle - Medium/Heavy Spring Setting - Cold Temp	2" NPT(F), MED HVY	48x20x12cm   3.9kg	Includes Plug 
BNM800H-CT	800lpm Series Diesel Refuelling Nozzle - Heavy Spring Setting - Cold Temp	2" NPT(F), HVY	48x20x12cm   3.9kg	Includes Plug 

\* No automatic shut off

Replacement parts & kits on page 85

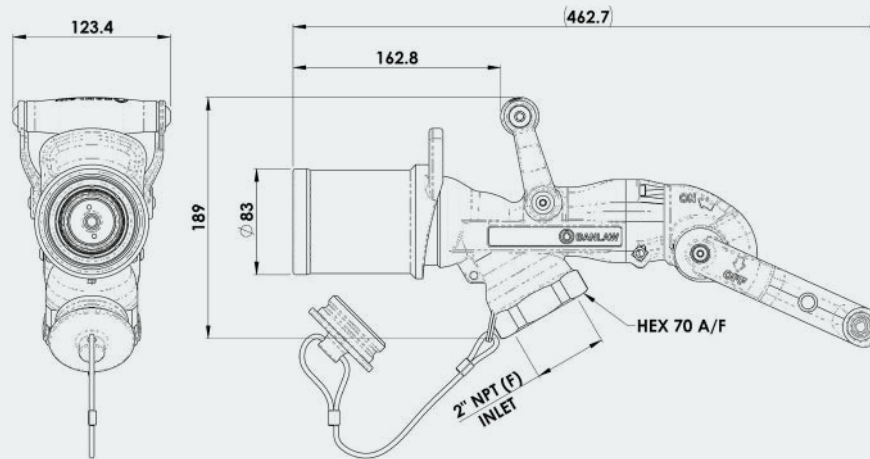
# 1000 Series Nozzle

Our 1000 Series refuelling nozzles allow your equipment filling speeds to be maximised.

Considered to be the pinnacle in Dry Break, automatic shut-off hardware, these durable nozzles allow fuelling process times to be reduced, enabling significant productivity gains.

Flow rates up to 1,000 litres / 264 gallons per minute.

Compatible only with Banlaw 1000lpm 43 series receivers, e.g. BRM43K and BFCV43 Series products.



BN1000M

Part Number	Product Description	Tech Specs	Shipping - Dimensions & Weight	Items Included
BAMS6	1000lpm Series Diesel Refuelling Nozzle - Bulk Fill	* 2" NPT(F)	27x16x12cm   2.55kg	Includes Plug
BN1000ML	1000lpm Series Diesel Refuelling Nozzle - Medium/Light Spring Setting	2" NPT(F), MED LT	48x20x12cm   4.22kg	Includes Plug
BN1000M	1000lpm Series Diesel Refuelling Nozzle - Medium Spring Setting	2" NPT(F), MED	48x20x12cm   4.22kg	Includes Plug
BN1000MH	1000lpm Series Diesel Refuelling Nozzle - Medium/Heavy Spring Setting	2" NPT(F), MED HVY	48x20x12cm   4.22kg	Includes Plug
BN1000H	1000lpm Series Diesel Refuelling Nozzle - Heavy Spring Setting	2" NPT(F), HVY	48x20x12cm   4.22kg	Includes Plug
BN1000XH	1000lpm Series Diesel Refuelling Nozzle - Extra Heavy Spring Setting	2" NPT(F), XHVV	48x20x12cm   4.22kg	Includes Plug
BN1000ML-CT	1000lpm Series Diesel Refuelling Nozzle - Medium/Light Spring Setting - Cold Temp	2" NPT(F), MED LT	48x20x12cm   4.22kg	Includes Plug ❄️
BN1000M-CT	1000lpm Series Diesel Refuelling Nozzle - Medium Spring Setting Cold Temp	2" NPT(F), MED	48x20x12cm   4.22kg	Includes Plug ❄️
BN1000MH-CT	1000lpm Series Diesel Refuelling Nozzle - Medium/Heavy Spring Setting - Cold Temp	2" NPT(F), MED HVY	48x20x12cm   4.22kg	Includes Plug ❄️
BN1000H-CT	1000lpm Series Diesel Refuelling Nozzle - Heavy Spring Setting - Cold Temp	2" NPT(F), HVY	48x20x12cm   4.22kg	Includes Plug ❄️
BN1000XH-CT	1000lpm Series Diesel Refuelling Nozzle - Extra Heavy Spring Setting - Cold Temp	2" NPT(F), XHVV	48x20x12cm   4.22kg	Includes Plug ❄️

\* No automatic shut off

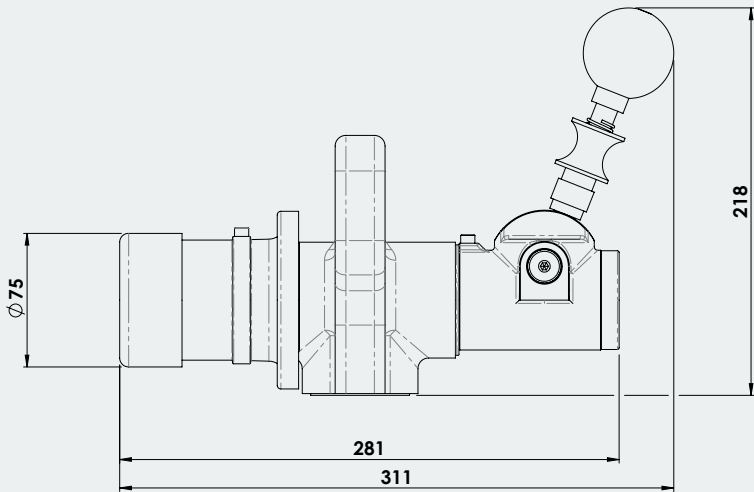
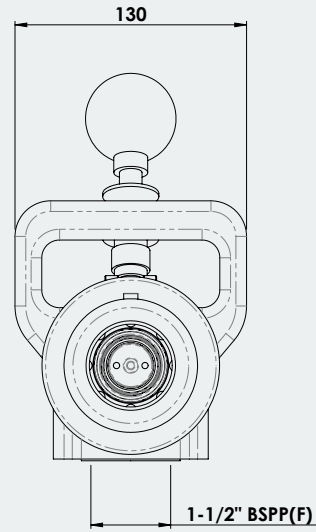
## Underground Nozzle

Specifically-designed for underground refuelling of diesel-powered machines, the Underground Nozzle is Dry Break, offers improved dispensing rates, and is manufactured without aluminium for use in underground coal mines.

Our Underground Nozzle prevents water, mud, and dust from entering fuel tanks, thus reducing engine failures. It supports flow rates of up to 300lpm.

The Underground Nozzle can be configured on site, with variable shutoff pressure settings.

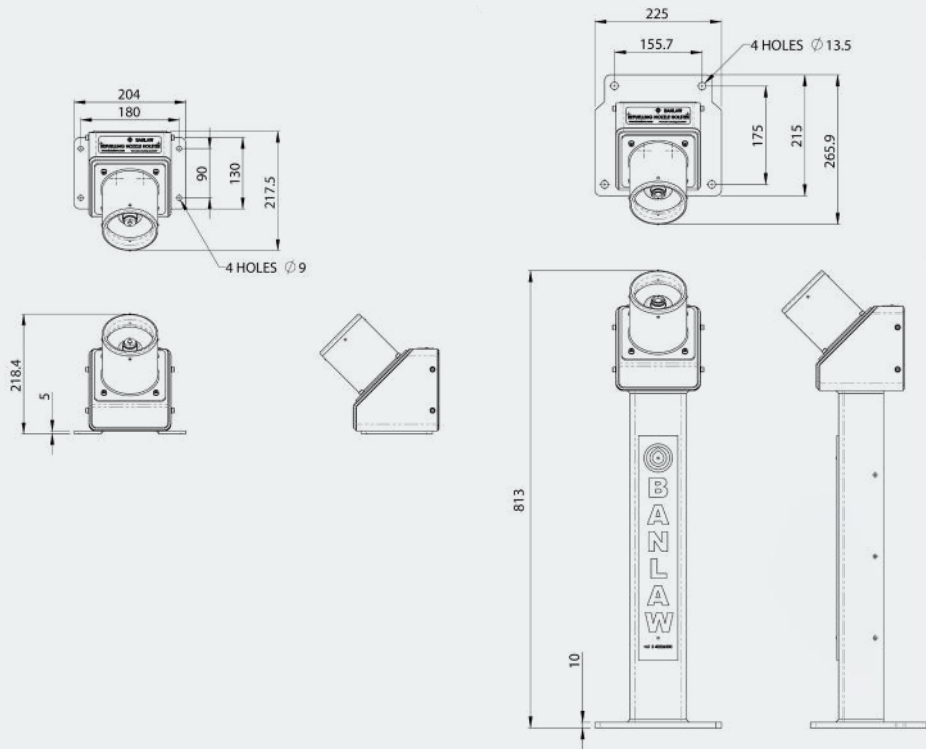
Compatible only with Banlaw AUS46K Receiver.



AUS45

Part Number	Product Description	Tech Specs	Shipping - Dimensions & Weight
AUS45	Underground 45 Series Nozzle - 1-1/2" BSPP(F) w/ variable shut off pressure	1-1/2" BSPP(F)	35x27x16cm   4.68kg

# Nozzle Holsters and Anchors



BFTNH203A



BP1000049

BP800049

Part Number	Product Description	Tech Specs	Shipping - Dimensions & Weight
BFTNH203A	800lpm Series - Nozzle Holster Short	UNIT	22x22x22cm   5.8kg
BFTNH201A	800lpm Series - Nozzle Holster Tall	UNIT	22x22x82cm   14.6kg
BFTNH204A	1000lpm Series - Nozzle Holster Short	UNIT	22x22x22cm   5.9kg
BFTNH202A	1000lpm Series - Nozzle Holster Tall	UNIT	22x22x82cm   14.6kg
BP800049	Mounting Anchor Acetal Front End to suit BNM &BNR 800 Series Dry-Break Nozzles	UNIT	7x7x10cm   1.3kg
BP1000049	Mounting Anchor Acetal Front End to suit BN1000 Series Dry Break Nozzles	UNIT	7x7x10cm   1.8kg
AUS46014	Mounting Anchor to suit AUS45 Underground Nozzle	UNIT	5x5x7cm   1.7kg
BP800050	Mounting Anchor to suit BNC40 Bulk Transfer Nozzle	UNIT	7x7x9cm   1.2kg

Refuelling

# Dry Break Receivers

Banlaw Dry Break Receivers deliver industry leading performance, safety & durability.

We offer a variety of Dry Break receiver configurations to suit various applications, including our 23 Series 800lpm receivers which are compatible with refuelling nozzles supplied by other OEM's.

Our receivers are manufactured from the highest quality materials, including stainless steel, to ensure they withstand harsh everyday treatment. This makes them less-prone to snapping-off or leaking than receivers made from softer materials.

Go to

[800 Series Receiver](#)

[Check Valve Receiver](#)

[1000 Series Receiver](#)

[Underground Receiver](#)

## Receiver Spring Settings:

**Medium** – The industry standard pressure setting. General receiver that is commonly fitted directly to the fuel tank.

**Light** – Used to help prevent premature nozzle shut off caused by long pipework, elbows, flow control valves, or significant elevation of tank above receiver location.

**Heavy** – Assists the nozzle to shut off earlier applying less pressure on the tank at shutoff. For tanks prone to overfill, or more sensitive to pressure. Common on sites where heavier nozzle spring settings are the standard.

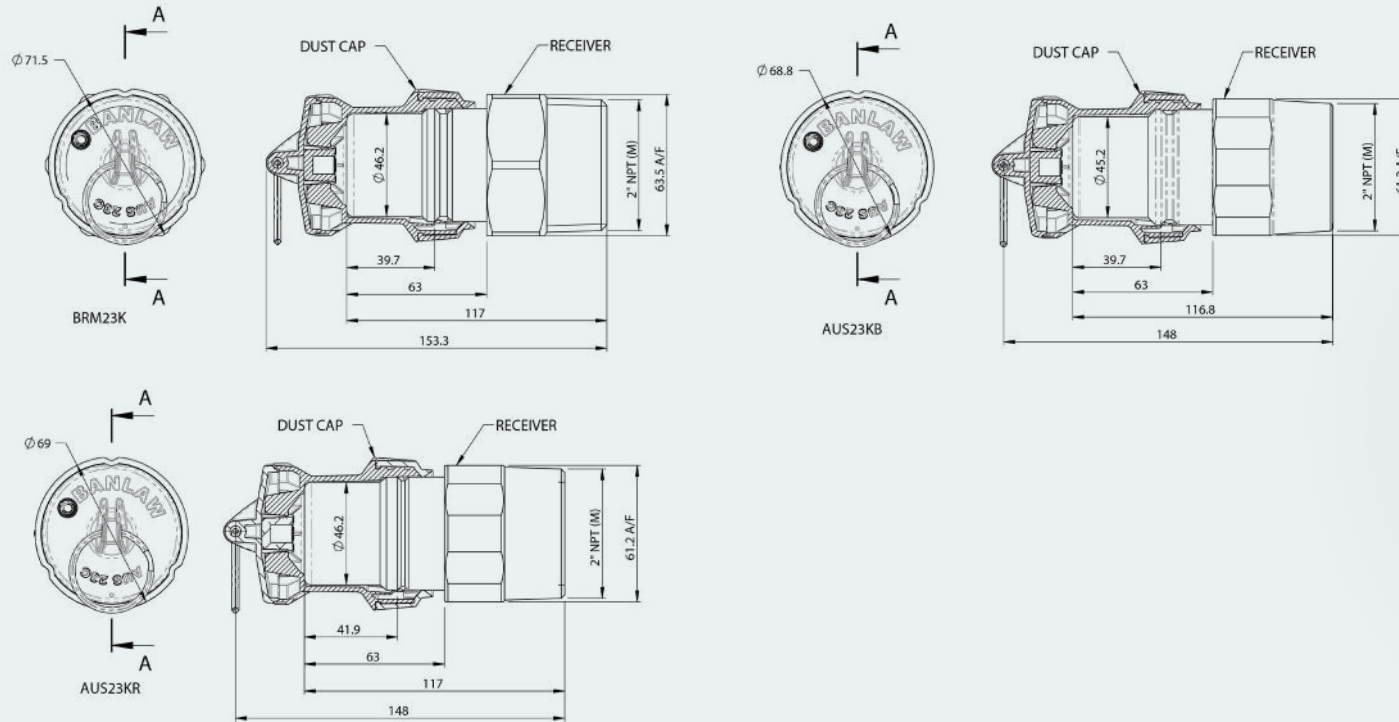
TOP TIP

Refuelling problems related to a specific machine should be overcome by changing the receiver, not the nozzle, in most cases.



Left to right: 1000lpm / 264gpm (BRM43), Rail, 800lpm / 211gpm (BRM23), Hydraulic, Underground, Caterpillar, Check Valve

# 800 Series Receiver



BRM23K

Note: Our Rail and Hydraulic Nozzles will only couple with matched Rail or Hydraulic Receivers. Rail products are specific to that industry.

Part Number	Product Description	Tech Specs	Shipping - Dimensions & Weight	Items Included
AUS23KB	800lpm 23 Series Receiver - Medium Spring Setting - Hydraulic	2" NPT(M), MED	15x7x7cm   1.19kg	Includes Cap
BRM23KL	800lpm 23 Series Receiver - Light Spring Setting	2" NPT(M), LT	15x7x7cm   1.19kg	Includes Cap
BRM23K	800lpm 23 Series Receiver - Medium Spring Setting	2" NPT(M), MED	15x7x7cm   1.19kg	Includes Cap
BRM23KMH	800lpm 23 Series Receiver - Medium/Heavy Spring Setting	2" NPT(M), MED HVY	15x7x7cm   1.19kg	Includes Cap
BRM23KH	800lpm 23 Series Receiver - Heavy Spring Setting	2" NPT(M), HVY	15x7x7cm   1.19kg	Includes Cap
AUS23KR	800lpm 23 Series Receiver - Medium Spring Setting - Rail	2" NPT(M), MED	15x7x7cm   1.139kg	Includes Cap
BRM23KL-CT	800lpm 23 Series Receiver - Light Spring Setting - Cold Temp	2" NPT(M), LT	15x7x7cm   1.19kg	Includes Cap
BRM23K-CT	800lpm 23 Series Receiver - Medium Spring Setting - Cold Temp	2" NPT(M), MED	15x7x7cm   1.19kg	Includes Cap
BRM23KMH-CT	800lpm 23 Series Receiver - Medium/Heavy Spring Setting - Cold Temp	2" NPT(M), MED HVY	15x7x7cm   1.19kg	Includes Cap
BRM23KH-CT	800lpm 23 Series Receiver - Heavy Spring Setting - Cold Temp	2" NPT(M), HVY	15x7x7cm   1.19kg	Includes Cap

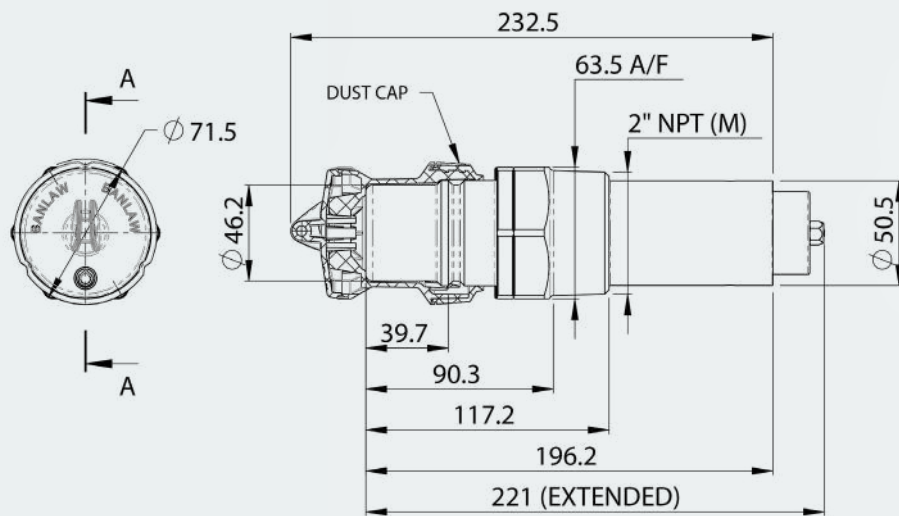
Note: The Caterpillar receiver and other Auto ID receivers are in the Fuel Management section, on page 78.

Replacement caps on page 85


## Check Valve Receiver

Our Check Valve Receiver integrates fuel security along with Dry Break functionality.

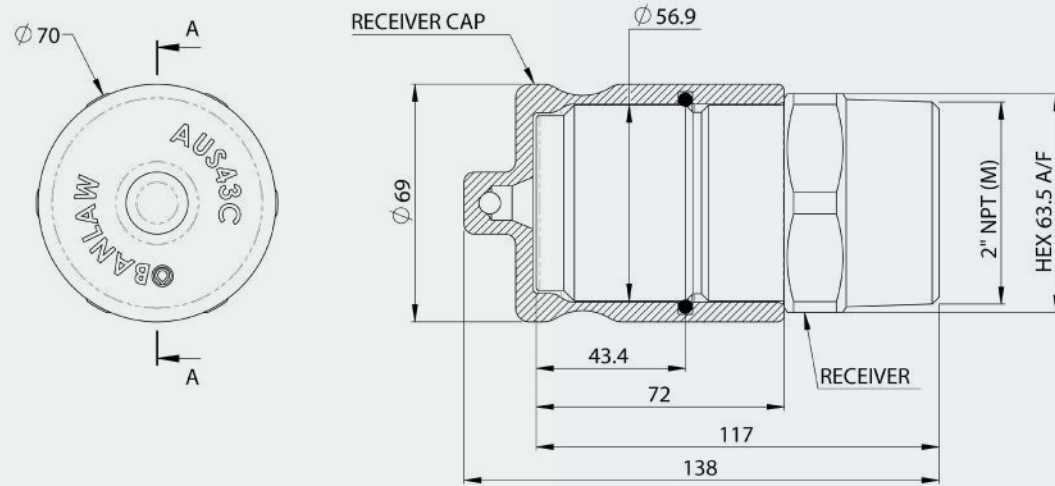
It prevents unwanted fuel drainage from the tank which stops theft, and allows for the receiver front-end to be replaced without having to drain the tank first. This saves time on scheduled maintenance, and money because only the worn part is replaced.



BCVR23KR2

Part Number	Product Description	Tech Specs	Shipping - Dimensions & Weight	Items Included
BCVR23KR2	800lpm 23 Series Check Valve Receiver- Medium Spring Setting	2" NPT(M), MED	23x7x7cm   1.61kg	Includes Cap
BCVR23KR2-CT	800lpm 23 Series Check Valve Receiver- Medium Spring Setting - Cold Temp	2" NPT(M), MED	23x7x7cm   1.61kg	Includes Cap 

# 1000 Series Receiver

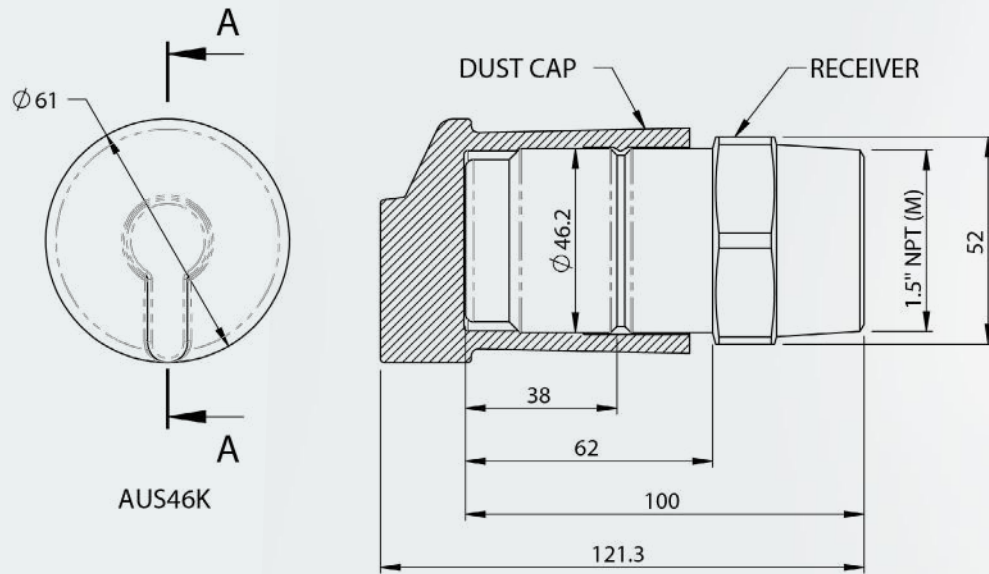


BRM43K

Part Number	Product Description	Tech Specs	Shipping - Dimensions & Weight	Items Included
BRM43KL	1000lpm 43 Series Receiver - Light Spring Setting	2"NPT(M), LT	14x7x7cm   1.46kg	Includes Cap
BRM43K	1000lpm 43 Series Receiver - Medium Spring Setting	2"NPT(M), MED	14x7x7cm   1.46kg	Includes Cap
BRM43KMH	1000lpm 43 Series Receiver - Medium/Heavy Spring Setting	2"NPT(M), MED HVY	14x7x7cm   1.46kg	Includes Cap
BRM43KH	1000lpm 43 Series Receiver - Heavy Spring Setting	2"NPT(M), HVY	14x7x7cm   1.46kg	Includes Cap
BRM43KL-CT	1000lpm 43 Series Receiver - Light Spring Setting - Cold Temp	2"NPT(M), LT	14x7x7cm   1.46kg	Includes Cap ❄️
BRM43K-CT	1000lpm 43 Series Receiver - Medium Spring Setting - Cold Temp	2"NPT(M), MED	14x7x7cm   1.46kg	Includes Cap ❄️
BRM43KMH-CT	1000lpm 43 Series Receiver - Medium/Heavy Spring Setting - Cold Temp	2"NPT(M), MED HVY	14x7x7cm   1.46kg	Includes Cap ❄️
BRM43KH-CT	1000lpm 43 Series Receiver - Heavy Spring Setting - Cold Temp	2"NPT(M), HVY	14x7x7cm   1.46kg	Includes Cap ❄️



# Underground Receiver



AUS46K

Part Number	Product Description	Tech Specs	Shipping - Dimensions & Weight	Items Included
AUS46K	Underground 46 Series Receiver	1-1/2" NPT(M)	14x8x8cm   0.74kg	Includes Cap

Refuelling

# Shells

Banlaw Receiver Shells allow for Dry Break receivers to be recessed into the fuel tank.

This prevents receiver damage from impact, avoiding associated costs and environmental concerns.

Our range of receiver shells are compatible with Banlaw and other industry standard OEM dry-break receivers.

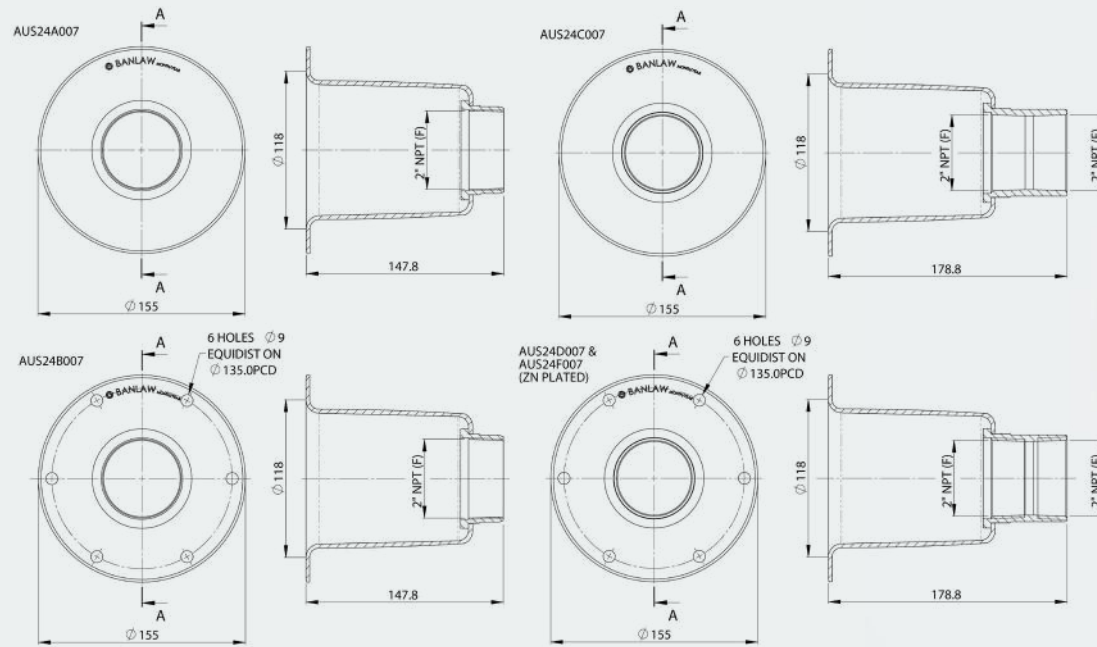


Go to

[Bolt Mount Shell](#)

[Weld Mount Shell](#)

AUS24 & AUS46



AUS46Shell

AUS24A007

## Bolt Mount Shell

Part Number	Product Description	Tech Specs	Shipping - Dimensions & Weight
AUS24B007	Bolt Mount Shell with 2"NPT 1/2 socket	BOLT ON	16x16x20cm   1.01kg
AUS24D007	Bolt Mount Shell with 2" NPT full socket	BOLT ON	16x16x20cm   1.01kg
AUS24F007	Bolt Mount Shell with 2"NPT full socket (zinc plated)	BOLT ON	16x16x20cm   1.01kg
AUS24G	Gasket to suit Bolt Mount Shells		

## Weld Mount Shell

Part Number	Product Description	Tech Specs	Shipping - Dimensions & Weight
AUS24A	Welded Flush Mount Shell with 2"NPT 1/2 socket plus BRM23K	WELD	16x16x20cm   2.2kg
AUS24A007	Welded Flush Mount Shell with 2"NPT 1/2 socket (unpainted)	WELD	16x16x20cm   1.01kg
AUS24C007	Welded Flush Mount Shell with 2" NPT full socket	WELD	16x16x20cm   1.01kg
AUS46Shell	Welded Flush Mount Shell with 1-1/2"NPT 1/2 socket (unpainted)	WELD	12x12x14cm   0.82kg

# Vents & Breathers

## Vents

Banlaw vents are available in unfiltered, filtered, and fine filtered variants.

All Banlaw vents are manufactured with a float valve to shut-off refuelling at a specific ullage.

They are designed to allow air to be released from the fuel tank rapidly during high-speed refuelling, whilst avoiding premature nozzle shut-off, fuel spills and sprays.

## Tank Breathers

Remote tank breathers provide a flexible way of upgrading machine fuelling systems to filter out airborne contaminants before air is drawn into the fuel tank.

### Go to

[Remote Breather 3µm](#)
[Fine Filtered Vent 3µm](#)
[Filtered Vent 10µm](#)
[Unfiltered Vent](#)
[Unfiltered Vent - Low Profile](#)
[Vent Adaptor](#)

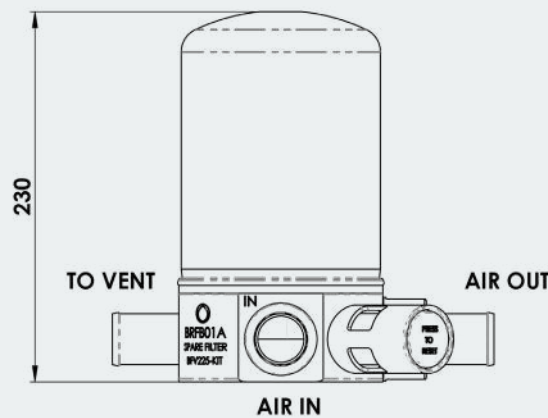
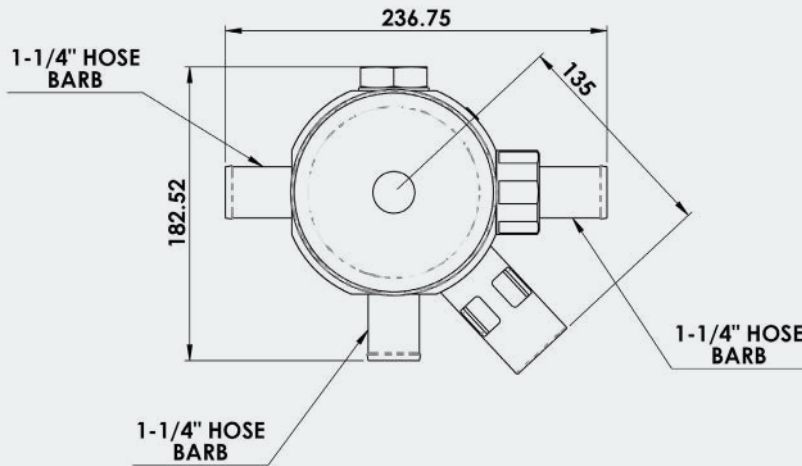

Remote Breather 3µm

## Remote Breather 3µm

Our Remote Tank Breather prevents damaging airborne contaminants from entering fuel tanks and other fluid storages. It is unique in that it vents at 1,000lpm, and also filters incoming air at 1,000lpm (35.3scfm of air).

This product is perfect for service truck bulk storages, and other tanks where incoming air needs to be filtered at a high rate due to service fluids or diesel being rapidly dispensed from the tank.

- ▶ Compatible with Banlaw and other-brand unfiltered vents
- ▶ Compatible with Banlaw Venting Level Sensor (overfill protection system component)
- ▶ Supports refuelling at 1000lpm / 264gpm
- ▶ Filters incoming air at up to 1000lpm / 264gpm
- ▶ 3µm (abs.) filter canister



TOP TIP

Our Remote Breather is perfect for upgrading existing fuelling systems because it can be installed a distance from the fuel tank. Protect machine warranties by ensuring ISO cleanliness and prolong equipment life.

Note: Filtration of inwards tank air of 4micron abs. or better is recommended by major OEM's of engines used on plant equipment.

Part Number	Product Description	Tech Specs	Shipping - Dimensions & Weight
BRFB01A	Remote Filtered Breather, 3µm (abs.) 1" BSP/1-14" Hose Barb	1" BSPPF	23x23x20cm   3.5kg

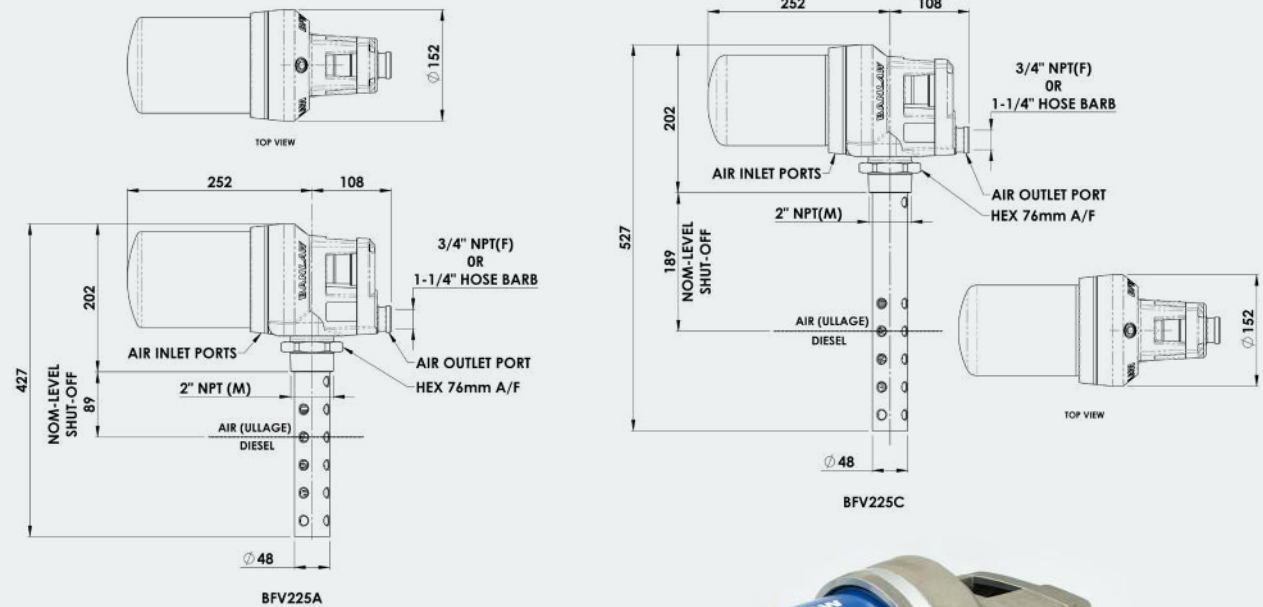
## Fine Filtered Vent 3µm

Banlaw's patented Fine Filtered Vent prevents damaging airborne contaminants from entering fuel tanks and other fluid storages.

The Fine Filtered Vent is fitted with a large filter canister providing approximately 2000 engine hours of service. This filter removes incoming airborne contaminants greater than or equal to 3microns. Exhaust air moving through the vent during refuelling bypasses the filter element. This extends filter life and does not impede outgoing airflow.

The Fine Filtered Vent significantly increases the life of fuel systems and engine components, and unlike standard tank breather systems, blocked filters cannot cause tank over-pressurisation.

A visual filter condition indicator is fitted to monitor filter health.

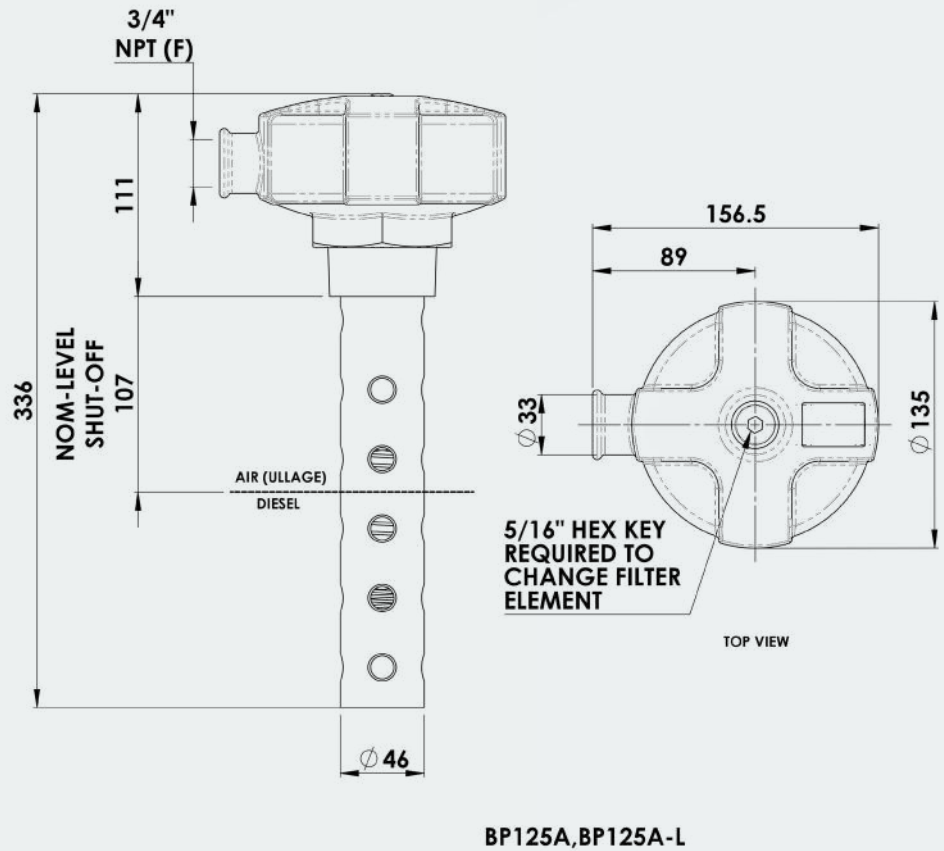


**TOP TIP** Filtration of inwards tank air of 4micron abs. or better is required by major OEM's of engines used on plant equipment. Banlaw's Fine Filtered Vent and Remote Tank Breather are perfect for this task.

Note: Filtration of inwards tank air of 4micron abs. or better is recommended by major OEM's of engines used on plant equipment.

Part Number	Product Description	Tech Specs	Shipping - Dimensions & Weight
BFV225A	Fine Filtered Vent 3µm (abs.) - 16psi Pressure Relief	2" NPT(M), 16PSI	46x37x20cm   6.04kg
BFV225A-L	Fine Filtered Vent 3µm (abs.) - 7psi Pressure Relief	2" NPT(M), 7PSI	46x37x20cm   6.04kg
BFV225C	Fine Filtered Vent 3µm (abs.) - Extended Length - 16psi Pressure Relief	2" NPT(M), 16PSI	56x37x20cm   6.4kg
BFV225C-L	Fine Filtered Vent 3µm (abs.) - Extended Length - 7psi Pressure Relief	2" NPT(M), 7PSI	56x37x20cm   6.4kg
BFV225A-CT	Fine Filtered Vent 3µm (abs.) - 16psi Pressure Relief - Cold Temp	2" NPT(M), 16PSI	46x37x20cm   6.04kg ❄️
BFV225A-L-CT	Fine Filtered Vent 3µm (abs.) - 7psi Pressure Relief - Cold Temp	2" NPT(M), 7PSI	46x37x20cm   6.04kg ❄️
BFV225C-CT	Fine Filtered Vent 3µm (abs.) - Extended Length - 16psi Pressure Relief - Cold Temp	2" NPT(M), 16PSI	56x37x20cm   6.4kg ❄️
BFV225C-L-CT	Fine Filtered Vent 3µm (abs.) - Extended Length - 7psi Pressure Relief - Cold Temp	2" NPT(M), 7PSI	56x37x20cm   6.4kg ❄️

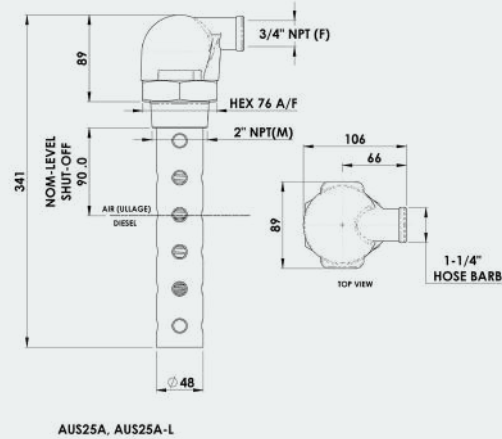
# Filtered Vent 10µm



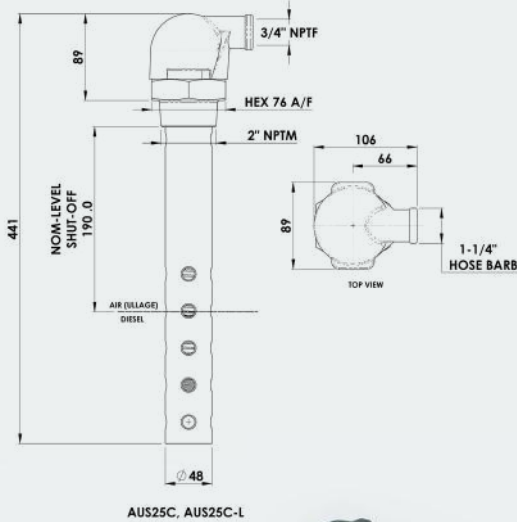
Part Number	Product Description	Tech Specs	Shipping - Dimensions & Weight
BP125A	Filtered Vent, 10µm (nom.), 2" NPT (Male) Thread with splash tube, (16psi) (RED CAP)	2" NPT(M), 16PSI	34x11x8cm   1.6kg
BP125A-L	Filtered Vent, 10µm (nom.), 2" NPT (Male) Thread with splash-tube, (7psi), (GREEN CAP)	2" NPT(M), 7PSI	34x11x8cm   1.6kg
BP125R	Filtered Vent, 10µm (nom.), 2" NPT (Male) Thread, (7psi), (GREEN CAP) - RAIL	2" NPT(M), 7PSI	25x11x8cm   1.4kg



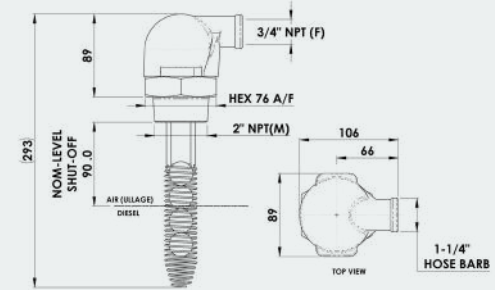
# Unfiltered Vent



AUS25A, AUS25A-L



AUS25C, AUS25C-L



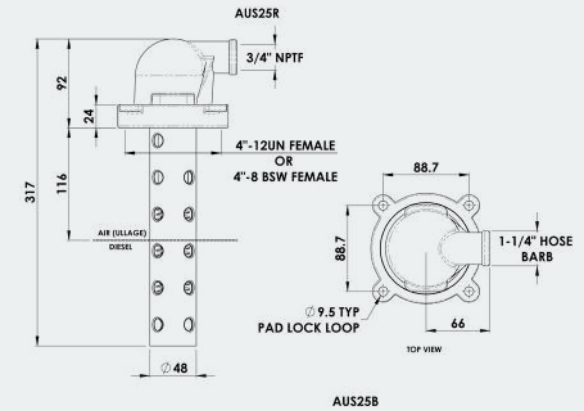
AUS25R



AUS25A

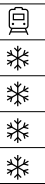


AUS25A-L



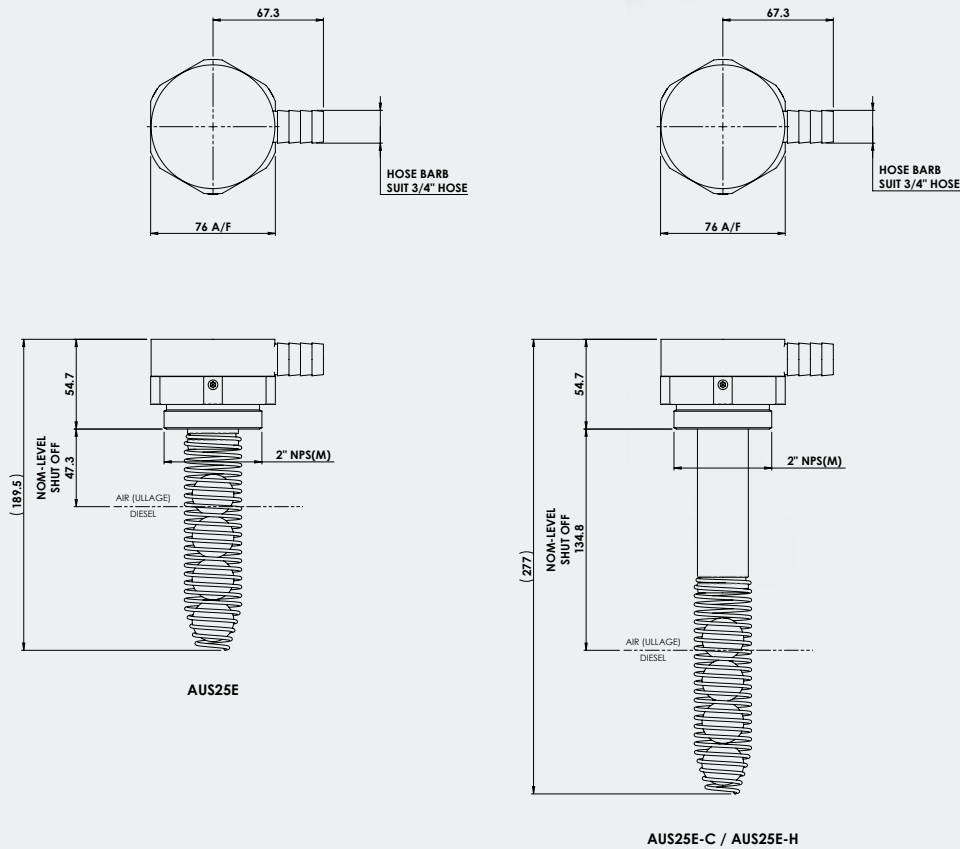
AUS25B

Part Number	Product Description	Tech Specs	Shipping - Dimensions & Weight
AUS25A	Vent Standard Screwed 2" NPT (M) with splash tube 16psi (RED CAP)	2" NPT(M), 16PSI	34x11x8cm   1.1kg
AUS25A-L	Vent Standard Screwed 2" NPT (M) with splash tube 7psi (GREEN CAP)	2" NPT(M), 7PSI	34x11x8cm   1.03kg
AUS25C	Vent Extended (100 mm) Screwed 2" NPT (M) with splash tube 16psi (RED CAP)	2" NPT(M), 16PSI	44x11x8cm   1.19kg
AUS25C-L	Vent Extended (100 mm) Screwed 2" NPT (M) with splash tube 7psi (GREEN CAP)	2" NPT(M), 7PSI	44x11x8cm   1.21kg
AUS25F	Vent Extended (277 mm) Screwed 2" NPT (M) with splash tube (RED CAP) 16psi	2" NPT(M), 16PSI	56x11x8cm   1.6kg
AUS25B	Vent with lockable flange to suit Cat & Komatsu fillers (2 flanges included) (RED CAP) 16psi	4"-12UNF or 4"-8BSWF, 16PSI	34x15x15cm   1.29kg
AUS25B-L	Vent with lockable flange to suit Cat & Komatsu fillers (2 flanges included) (GREEN CAP) 7psi	4"-12UNF or 4"-8BSWF, 7PSI	34x15x15cm   1.29kg
AUS25D	Vent Extended (100 mm), lockable flange for Cat & Komatsu (2 flanges included) (RED CAP) 16psi	FLANGE, 16PSI	44x15x15cm   1.33kg
AUS25R	Rail Vent 2" NPT (male) thread (GREEN CAP) 7psi - Rail	2" NPT(M), 7PSI	28x11x8cm   0.88kg
AUS25A-CT	Vent Standard Screwed 2" NPT (M) with splash tube 16psi (RED CAP) - Cold Temp	2" NPT(M), 16PSI	34x11x8cm   1.1kg
AUS25A-L-CT	Vent Standard Screwed 2" NPT (M) with splash tube 7psi (GREEN CAP) - Cold Temp	2" NPT(M), 7PSI	34x11x8cm   1.03kg
AUS25C-CT	Vent Extended (100 mm) Screwed 2" NPT (M) with splash tube 16psi (RED CAP) - Cold Temp	2" NPT(M), 16PSI	44x11x8cm   1.19kg
AUS25C-L-CT	Vent Extended (100 mm) Screwed 2" NPT (M) with splash tube 7psi (GREEN CAP) - Cold Temp	2" NPT(M), 7PSI	44x11x8cm   1.21kg





# Unfiltered Vent - Low Profile



AUS25E-C

Part Number	Product Description	Tech Specs	Shipping - Dimensions & Weight
AUS25E	Vent Low Profile (short stem 36mm) with 2" NPS (Male) thread, 7psi	2" NPS(M), 7PSI	20x15x8cm   1.15kg
AUS25E-C	Vent Low Profile Extended with 2" NPS (Male) thread 7psi	2" NPS(M), 7PSI	28x15x8cm   1.35kg
AUS25E-H	Vent Low profile Extended with 2" NPS (Male) thread 16psi	2" NPS(M), 16PSI	28x15x8cm   1.35kg

## Vent Adaptor

Part Number	Product Description	Tech Specs	Shipping - Dimensions & Weight
AUS25AA-1	2" NPT (Female) Half Coupling (Not pacified) can be used for all vents	ADAPTOR	7x7x5cm   0.39kg
AUS46013	1-1/2" NPT (Female) Half Coupling (Not pacified)	ADAPTOR	6x6x4cm   0.39kg

Refuelling

# Swivels

Banlaw's swivel range encompasses both Dry Break and Splash Fill refuelling applications.

Swivels are installed directly behind the nozzle to aid simplicity and ergonomics when refuelling your equipment. They also help prolong the life of other refuelling components.

Banlaw manufactures our nozzle swivels in either a durable steel, or a lightweight aluminium alloy.



Note: Swivels with integrated machine Auto ID components are listed in the Fuel Management section on page 79.

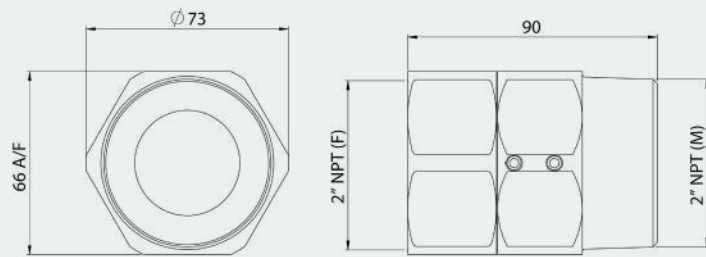
Go to

[Dry Break Swivel](#)

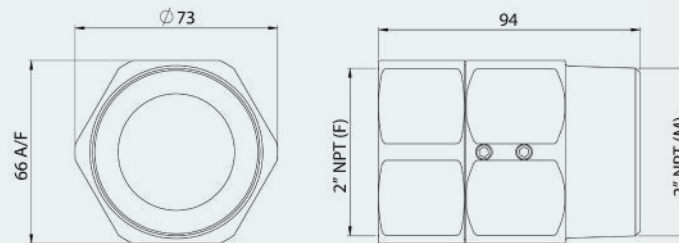
[Splash Fill Swivel](#)

AUS50 & AUS10

## Dry Break Swivel



AUS10



AUS50



AUS10

AUS50

Part Number	Product Description	Tech Specs	Shipping - Dimensions & Weight
AUS7	Swivel 2" NPT (Male) x 1-1/4" NPT (Female) Steel	2" NPT(M), 1-1/4" NPT(F)	10x6x6cm   0.960kg
AUS8	Swivel 1-1/2" NPT (Male) x 1-1/2" NPT (Female) Steel	1-1/2" NPT(M), 1-1/2" NPT(F)	10x7x7cm   1.013kg
AUS9	Swivel 2" NPT (Male) x 1-1/2" NPT (Female) Steel	2" NPT(M), 1-1/2" NPT(F)	10x7x7cm   1.0335kg
AUS10	Swivel 2" NPT (Male) x 2" NPT (Female) Steel	2" NPT(MF)	10x7x7cm   1.034kg
AUS11	Swivel 2" NPT (Male) x 1-1/2" NPT (Male) Steel	2" NPT(M), 1-1/2" NPT(M)	11x7x7cm   1.08kg
AUS12	Swivel 2" NPT (Male) x 2" NPT (Male) Steel	2" NPT(MM)	11x7x7cm   1.13kg
AUS50	Swivel 2" NPT (Male) x 2" NPT (Female) Aluminium Alloy	2" NPT(MF)	10x7x7cm   0.5kg
AUS52	Swivel 2" NPT (Male) x 1-1/2" NPT (Female) Aluminium Alloy	2" NPT(M), 1-1/2" NPT(F)	10x6x6cm   0.54kg
AUS53	Swivel 2" NPT (Male) x 1-7/8" JIC (Male) Aluminium Alloy	2" NPT(M), 1-7/8" JIC(M)	10x6x6cm   0.6kg
AUS55	Swivel 2" NPT (Male) x 2-1/2" JIC (Male) Aluminium Alloy	2" NPT(M), 2-1/2" JIC(M)	14x8x8cm   0.64kg
AUS7-CT	Swivel 2" NPT (Male) x 1-1/4" NPT (Female) Steel - Cold Temp	2" NPT(M), 1-1/4" NPT(F)	10x6x6cm   0.960kg ❄️
AUS8-CT	Swivel 1-1/2" NPT (Male) x 1-1/2" NPT (Female) Steel - Cold Temp	1-1/2" NPT(M), 1-1/2" NPT(F)	10x7x7cm   1.013kg ❄️
AUS9-CT	Swivel 2" NPT (Male) x 1-1/2" NPT (Female) Steel - Cold Temp	2" NPT(M), 1-1/2" NPT(F)	10x7x7cm   1.1kg ❄️
AUS10-CT	Swivel 2" NPT (Male) x 2" NPT (Female) Steel - Cold Temp	2" NPT(MF)	10x7x7cm   1.034kg ❄️
AUS11-CT	Swivel 2" NPT (Male) x 1-1/2" NPT (Male) Steel - Cold Temp	2" NPT(M), 1-1/2" NPT(M)	11x7x7cm   1.08kg ❄️
AUS12-CT	Swivel 2" NPT (Male) x 2" NPT (Male) Steel - Cold Temp	2" NPT(MM)	11x7x7cm   1.13kg ❄️
AUS50-CT	Swivel 2" NPT (Male) x 2" NPT (Female) Aluminium Alloy - Cold Temp	2" NPT(MF)	10x7x7cm   0.5kg ❄️
AUS52-CT	Swivel 2" NPT (Male) x 1-1/2" NPT (Female) Aluminium Alloy - Cold Temp	2" NPT(M), 1-1/2" NPT(F)	10x6x6cm   0.54kg ❄️
AUS53-CT	Swivel 2" NPT (Male) x 1-7/8" JIC (Male) Aluminium Alloy - Cold Temp	2" NPT(M), 1-7/8" JIC(M)	10x6x6cm   0.6kg ❄️
AUS55-CT	Swivel 2" NPT (Male) x 2-1/2" JIC (Male) Aluminium Alloy - Cold Temp	2" NPT(M), 2-1/2" JIC(M)	14x8x8cm   0.64kg ❄️

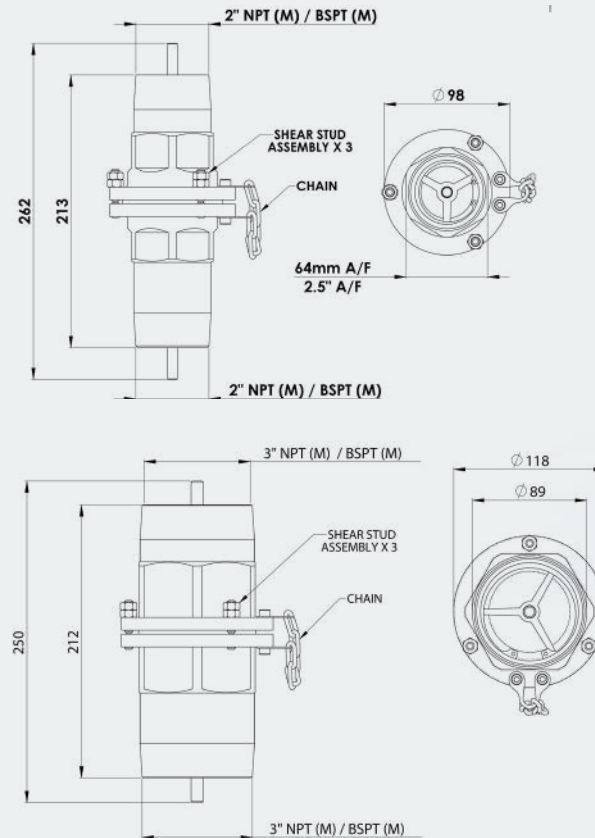
## Splash Fill Swivel

Part Number	Product Description	Tech Specs	Shipping - Dimensions & Weight
BFTSW110	3/4" Swivel, NPT, Dual Plane	3/4" NPT(MF)	10x5x3cm   0.4kg
BFTSW111	1" Swivel, NPT, Dual Plane	1" NPT(MF)	13x6x6cm   0.45kg

# Break Away Valves

Banlaw's Break Away Valves are designed to fracture when a specific amount of lateral stress is applied.

This means that should a vehicle drive-away during refuelling, the valve assembly will separate into two Dry Break components. These Dry Break components will prevent fuel from spilling from either the delivery line, or the hose which is still connected to the vehicle.



AUS4W-50

Part Number	Product Description	Tech Specs	Shipping - Dimensions & Weight
AUS4W-50	Break Away Valve - 2" BSPT (Male)	2" BSPT(M)	29x11x11cm   3.23kg
AUS4W-50N	Break Away Valve - 2" NPT (Male)	2" NPT(M)	29x11x11cm   3.23kg
AUS4W-75	Break Away Valve - 3" BSPT (Male)	3" BSPT(M)	25x13x13cm   5.5kg
AUS4W-75N	Break Away Valve - 3" NPT (Male)	3" NPT(M)	25x13x13cm   5.5kg
AUS4W-50-CT	Break Away Valve - 2" BSPT (Male) - Cold Temp	2" BSPT(M)	29x11x11cm   3.23kg ❄️
AUS4W-50N-CT	Break Away Valve - 2" NPT (Male) - Cold Temp	2" NPT(M)	29x11x11cm   3.23kg ❄️
AUS4W-75-CT	Break Away Valve - 3" BSPT (Male) - Cold Temp	3" BSPT(M)	25x13x13cm   5.5kg ❄️
AUS4W-75N-CT	Break Away Valve - 3" NPT (Male) - Cold Temp	3" NPT(M)	25x13x13cm   5.5kg ❄️

# Overfill Protection

Banlaw FillSafe™ overfill protection systems ensure safe, fast, reliable filling, with zero pressure build-up in the tank.

We manufacture both mechanical and electronic solutions for tank overfill protection, catering to storage tanks and diesel-powered machines of all sizes.

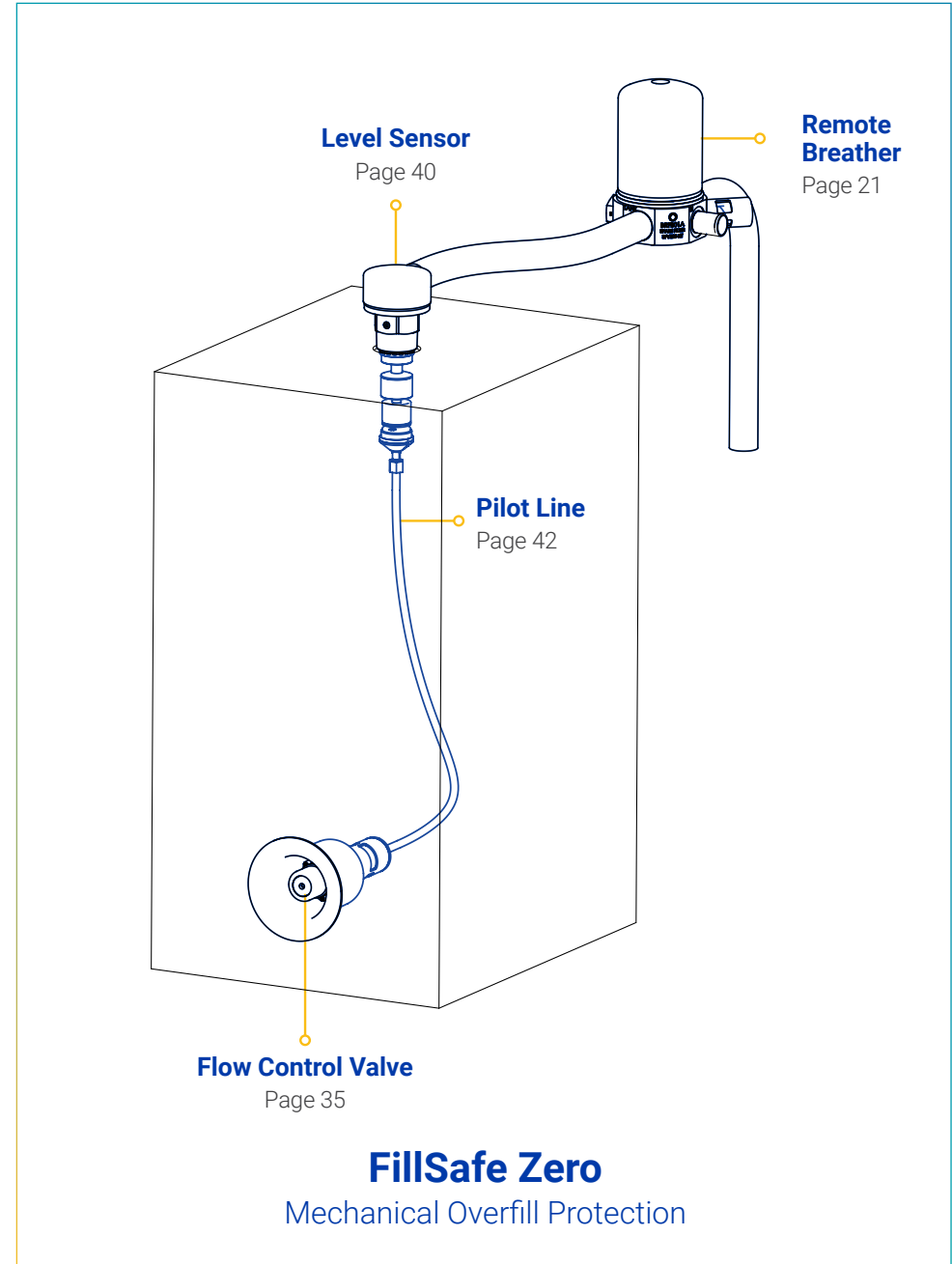
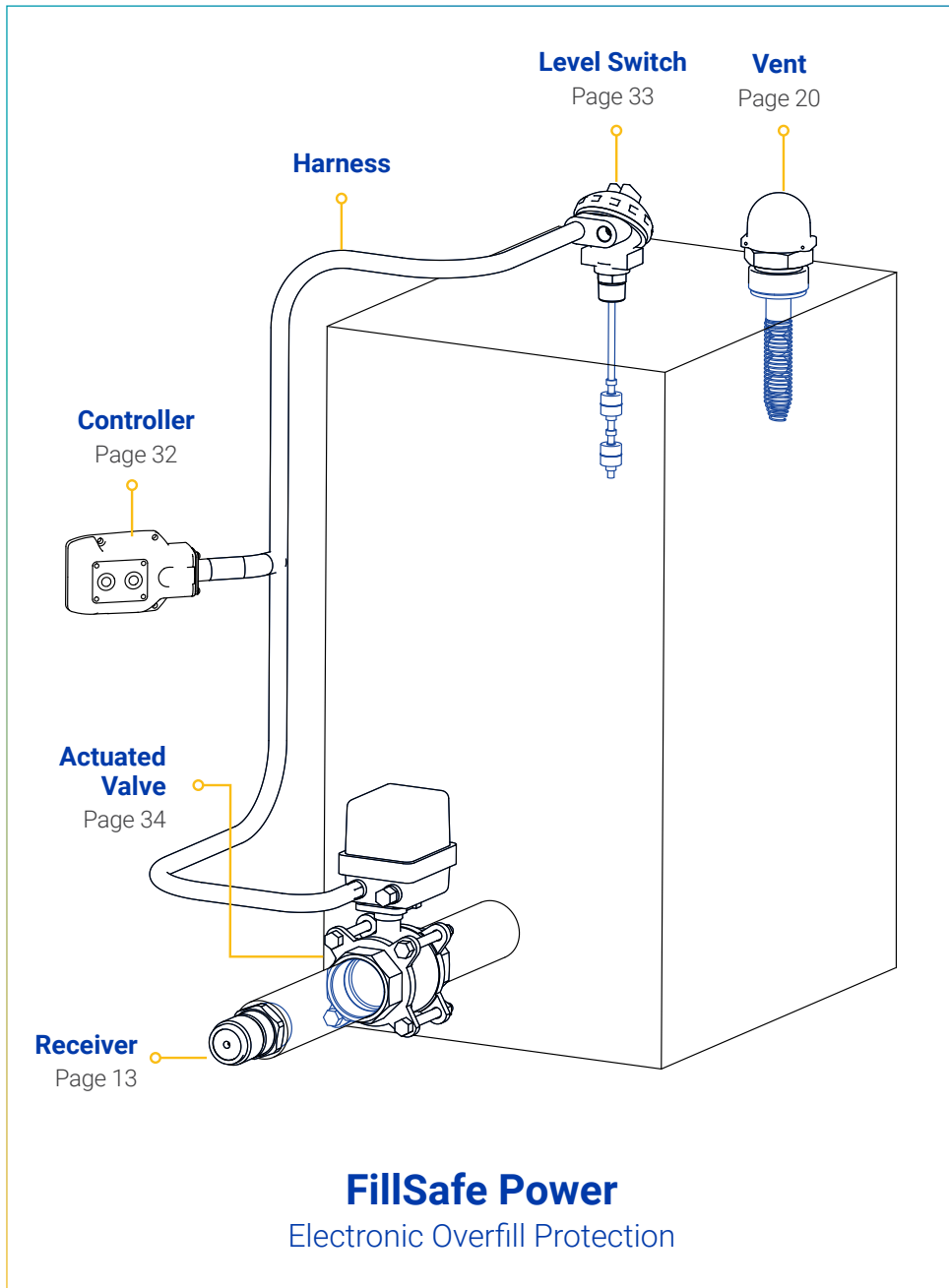
Banlaw FillSafe™ products are designed to protect valuable machine assets by giving our clients the widest choice of zero tank pressure overfill protection systems available on the market.



Go to

FillSafe Power

FillSafe Zero



Overfill Protection

# FillSafe Power

Our electronic tank overfill protection system is unrestricted by flow rate, and is suitable for use with many fluid types.

It is considered the go-to solution for mining excavators and railway locomotives; but is also perfect for other critical equipment, where very high flow rates, fire-safe installation, visual feedback for the operator, or multiple fill levels are required.

The FillSafe Power system requires 4 basic components, a Controller, an Actuated Valve, a Level Switch and a simple wiring harness to connect them all together.

Go to

[Controller](#)

[Level Switch](#)

[Electric Actuated Valve](#)



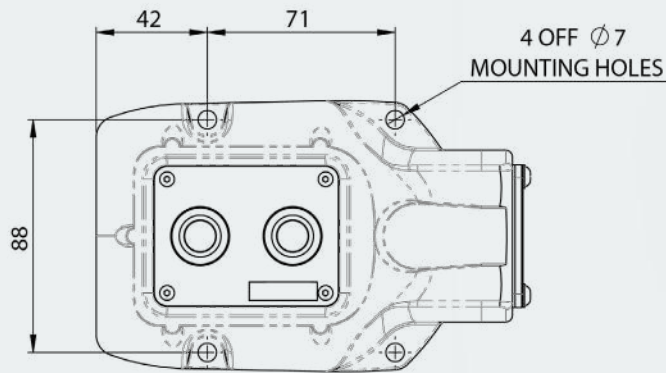
# Controller

The Controller is the heart of the FillSafe Power system. It receives an input from a Level Switch to indicate when the tank has reached the required fill level. Once the Level Switch is triggered, the Controller will automatically close an actuated valve.

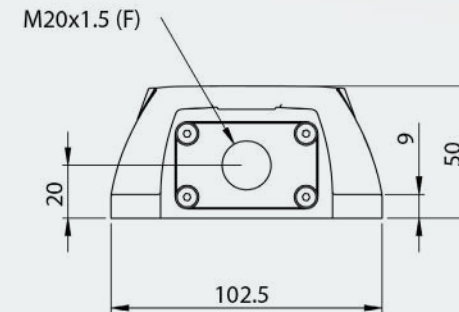
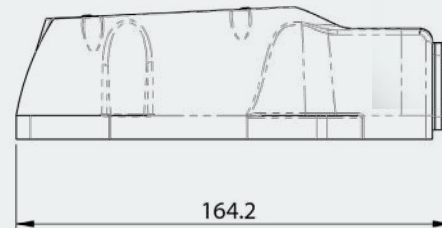
FillSafe Power can be configured to suit any machine and is the only overfill protection system that indicates exactly when the tank is full, via a controller feedback LED.

Each controller is available in a range of configurations. These include:

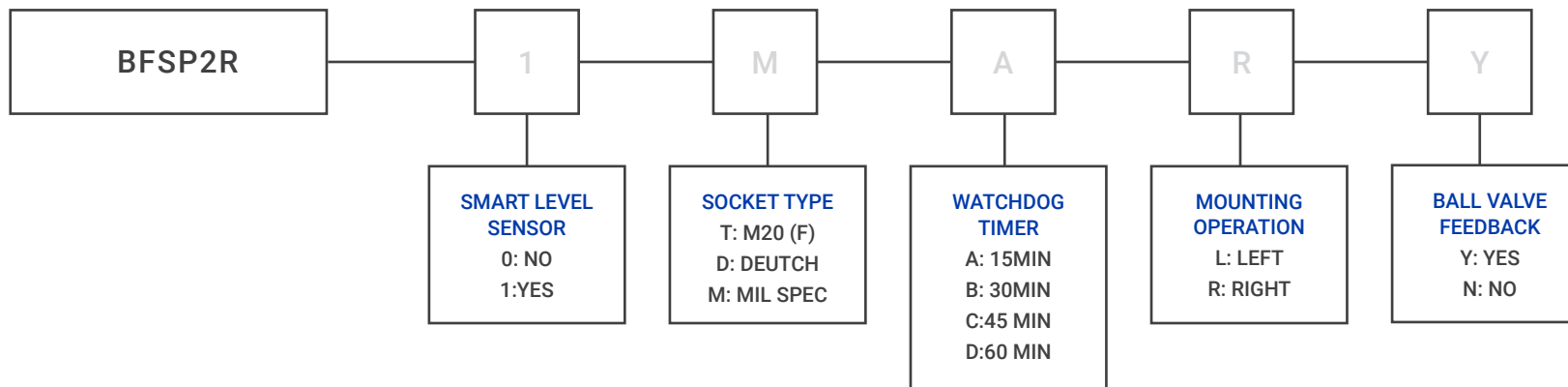
- ▶ A choice of Duetch socket, MilSpec socket, or M20 conduit entry termination.
- ▶ Automatic close of valve functionality at 15, 30, 45, or 60 minutes after the FILL button is pressed.
- ▶ Left Hand or Right Hand termination entry relative to the orientation of the interface.
- ▶ Options for inclusion of a Smart Level Switch and Ball Valve Feedback for enhanced system diagnostic capabilities.



BFSP2R1MARY



Almost 100 different FillSafe Power Controller configurations are available. Please use the following part numbering rules to select the features you require.



### EXAMPLE CONFIGURATION

## BFSP2R1MARY

BFSP2R Banlaw FillSafe™ Power Controller, with Smart Level Sensor (1), MIL Spec Socket Connection (M), Timer setting 15 min (A), Right Mounting (R) and Ball Valve Feedback (Y).



## Level Switch

Smart Level Switch variants provide diagnostic feedback to the FillSafe Power Controller, allowing the system to alert an operator of fault conditions automatically.

Custom Level Switches are available in addition to those listed below. These support top and side mount applications, as well as multiple pre-set float levels. Simply contact Banlaw with your design requirements.



BFSPLS3001

Part Number	Product Description	Tech Specs	Shipping - Dimensions & Weight
BFSPLS3001	Level Switch, 1" NPT(M), Dual Float, 70NC, 125NC, SS	1" NPT(M)	10x10x25cm   1kg
BFSPLS3001A	Level Switch, Smart, 1" NPT(M), Dual Float, 70NC, 125NC, SS	1" NPT(M)	10x10x20cm   1kg
BFSPLS3002	Level Switch, 1" NPT(M), Dual Float, 45NC, 100NC, SS	1" NPT(M)	10x10x17cm   1kg
BFSPLS3002A	Level Switch, Smart, 1" NPT(M), Dual Float, 45NC, 100NC, SS	1" NPT(M)	10x10x17cm   1kg
BFSPLS3003	Level Switch, 1" BSPT(M), Dual Float, 400N/C, 500N/C, SS	1" BSPT(M)	10x10x60cm   1kg
BFSPLS3004	Level Switch, 1" BSPT(M), Dual Float, 213N/C, 433N/C, SS	1" BSPT(M)	10x10x55cm   1kg
BFSPLS3007	Level Switch, 1" BSPT(M), Dual Float, 135NC, 200NC, SS	1" BSPT(M)	10x10x30cm   1kg
BFSPLS3007A	Level Switch, Smart, 1" BSPT(M), Dual Float, 135NC, 200NC,SS	1" BSPT(M)	10x10x30cm   1kg
BFSPLS3007AH	Level Switch, Smart, 1" BSPT(M), Dual Float, 135NC, 350NC,SS, Harness	1" BSPT(M)	10x10x30cm   1kg
BFSPLS3024	Level Switch, Smart, 1" BSPT(M), Dual Float, 250NC, 350NC,SS	1" BSPT(M)	10x10x50cm   1kg
BFSPLS3024A	Level Switch, Smart, 1" BSPT(M), Dual Float, 250NC, 350NC,SS	1" BSPT(M)	10x10x50cm   1kg
BFSPLS3024AH	Level Switch, Smart, 1" BSPT(M), Dual, 250NC, 350NC, SS, Harness	1" BSPT(M)	10x10x50cm   1kg

## Electric Actuated Valve

FillSafe Power controls any type of electric, pneumatic or fire-safe actuated 'open bore' ball valve to achieve the least pressure drop possible.

Other actuated style valves (e.g. solenoid valves) may be used to suit a wide variety of applications and fluid types – not just diesel fuels.

1" to 4" are the most commonly used sizes.

Contact Banlaw if you require advice or supply of an alternate ball valve to meet your specific business requirements.



TOP TIP

Actuated valves can be selected for FillSafe Power deployments based on a very wide range of flow rate and fluid type requirements. Common scenarios are fire-safe installations for heavy equipment refuelling and service carts with multiple fluid types.

### Actuated Valve

Part Number	Product Description	Tech Specs	Shipping - Dimensions & Weight
BFSPAV001H	Valve, Ball, Actuated, DN50 (2"), ANSI 150, SS, HQ006, 24VDC, Harness	DN50 ANSI 150	15x18x33cm   11.3kg
BFSPAV002H	Valve, Ball, Actuated, DN65 (2.5"), ANSI 150, SS, HQ015, 24VDC, Harness	DN65 ANSI 150	34x20x53cm   30.2kg

### Actuator

Part Number	Product Description	Tech Specs	Shipping - Dimensions & Weight
BFSPA001H	Actuator, HQ-006 24VDC, c/w 500mm Harness & 6 Pin Deutch Plug (suits up to 2" / DN50)	ISO 5211	15x14x13cm   3.3kg
BFSPA002H	Actuator, HQ-015 24VDC, c/w 500mm Harness & 6 Pin Deutch Plug (suits 2.5" / DN65 and over)	ISO 5211	34x20x27cm   17kg

### Adaptor

Part Number	Product Description	Tech Specs	Shipping - Dimensions & Weight
BFCV048	Adaptor, M20 Female, 1/2" BSPP(M), 304SS	M20x1.5P - 1/2" BSPP(F)	3x3x6   0.15kg

## Overfill Protection

# FillSafe Zero

Our patented mechanical tank overfill protection system enables safe, high-speed diesel refuelling and is cost-efficient to install on a wide range of vehicles, and stationary tanks.

Product variants are available that fit directly into a 2" shell, refuel at up to 1000lpm, include a Dry Break Receiver, or are provided with process connections for in-line deployment.

A Banlaw FillSafe™ Zero system consists of a Flow Control Valve, a Level Sensor, and a Pilot Line. The Flow Control Valve closes when a Level Sensor detects that the tank is full, stopping the flow of diesel from entering the tank.

The Banlaw FillSafe Zero Range is configurable to allow a choice of either an internal or external pilot line.

### Go to

[Flow Control Valve - 2"](#)
[Flow Control Valve - 3"](#)
[Flow Control Valve - 4"](#)
[Vented Level Sensor](#)
[Level Sensor](#)
[Non-Level-Sensing Vent](#)
[Pilot Line](#)
[Splash Fill Float Valve](#)
[FillSafe Zero Adaptor](#)
**TOP TIP**

Affordably protect your mobile equipment from spills, sprays, and fires. On some machines, it can cost less than a tank of diesel.

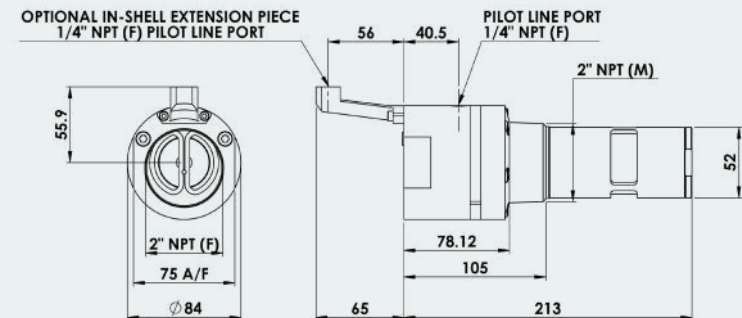
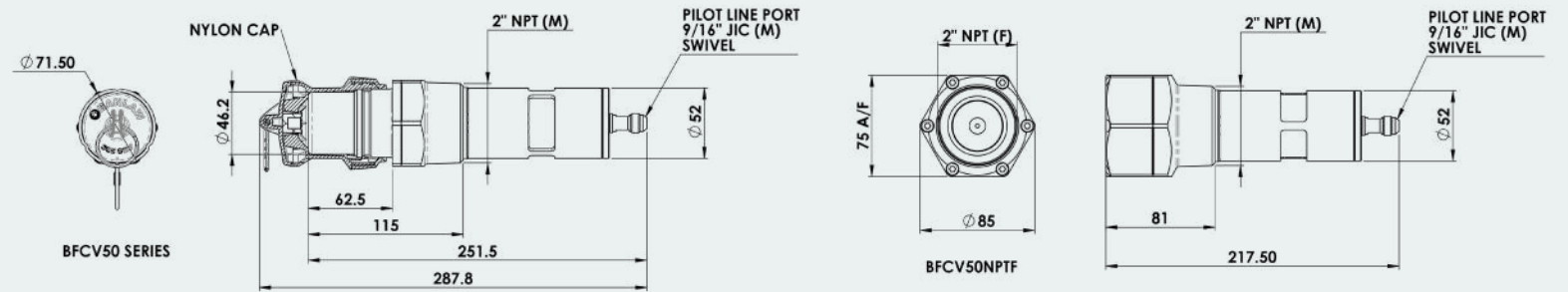


Note: FillSafe Zero Flow Control Valves with integrated receivers are available in Auto ID variants. Find them on page 79 of the Fuel Management section.




# Flow Control Valve 2"

Our 2" Flow Control Valves are designed to mount in any standard industry receiver shell. They support diesel flow rates from 100lpm to 800lpm (211gpm).

These Flow Control Valves can be mounted directly to the fuel tank on a vehicle. To support many installation scenarios, they are available with or without an integrated receiver, and come in either internal or external pilot line configuration.



LEFT TO RIGHT: BFCV50E / BFCV50ES / BFCV50NPTF / BFCV50

Part Number	Product Description	Tech Specs	Shipping - Dimensions & Weight	Items Included
BFCV50	FillSafe Zero, Flow control Valve, 2" NPT (M), c/w Mining Receiver	2" NPT(M)	29x8x8cm   1.73kg	Includes Cap
BFCV50E	FillSafe Zero, Flow control Valve, 2" NPT (MF), External Pilot Line	2" NPT(MF)	23x9x9cm   1.9kg	
BFCV50ES	FillSafe Zero, Flow control Valve, 2" NPT (MF), In Shell, External Pilot Line	2" NPT(MF)	28x11x8cm   2kg	
BFCV50NPT(F)	FillSafe Zero, Flow control Valve, 2" NPT (MF), Internal Pilot Line	2" NPT(MF)	22x8x8cm   1.77kg	
BFCV50R	FillSafe Zero, Flow control Valve, 2" NPT (M) - c/w Rail Receiver	2" NPT(M)	29x8x8cm   1.73kg	Includes Cap 
BFCV50-CT	FillSafe Zero, Flow control Valve, 2" NPT (M), c/w Mining Receiver - Cold Temp	2" NPT(M)	29x8x8cm   1.73kg	Includes Cap 
BFCV50R-CT	FillSafe Zero, Flow control Valve, 2" NPT (M) - c/w Rail Receiver - Cold Temp	2" NPT(M)	29x8x8cm   1.73kg	Includes Cap 



# Flow Control Valve 4"

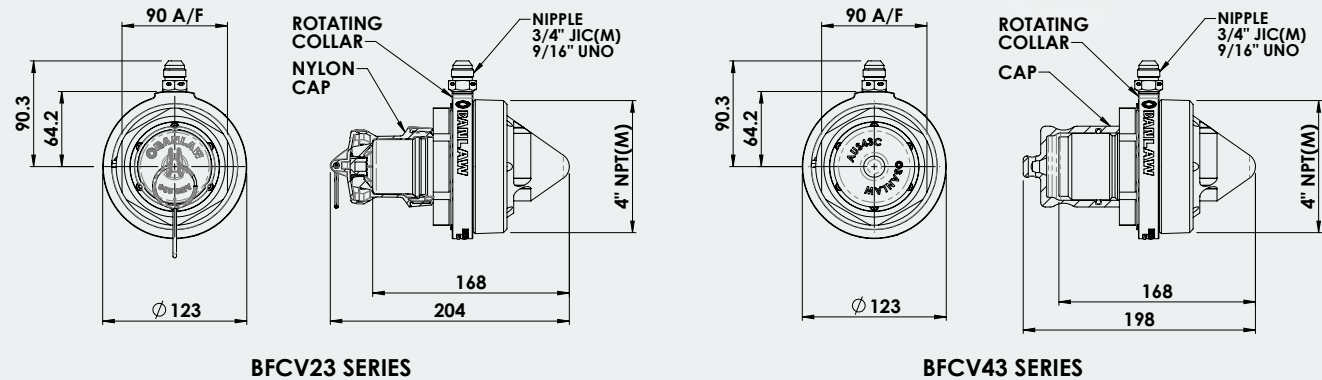
Our 4" Flow Control Valves come with integrated Dry Break Receivers.

The BFCV23 variants, support flow rates from 200lpm to 800lpm (211gpm), and are compatible with our 800 Series Dry Break Nozzles (the industry standard size).

The BFCV43 supports flow rates from 400lpm to 1000lpm (264gpm). It is compatible with our 1000 Series Dry Break Nozzle.

The 4" Flow Control Valves feature a rotating pilot line collar to assist with the routing of the External pilot line during installation.

These valves have the same 4" thread type as flow control valves on many diesel locomotives. This allows ease of conversions to allow a Banlaw Nozzle to be used to safely refuel a locomotive fuel tank.

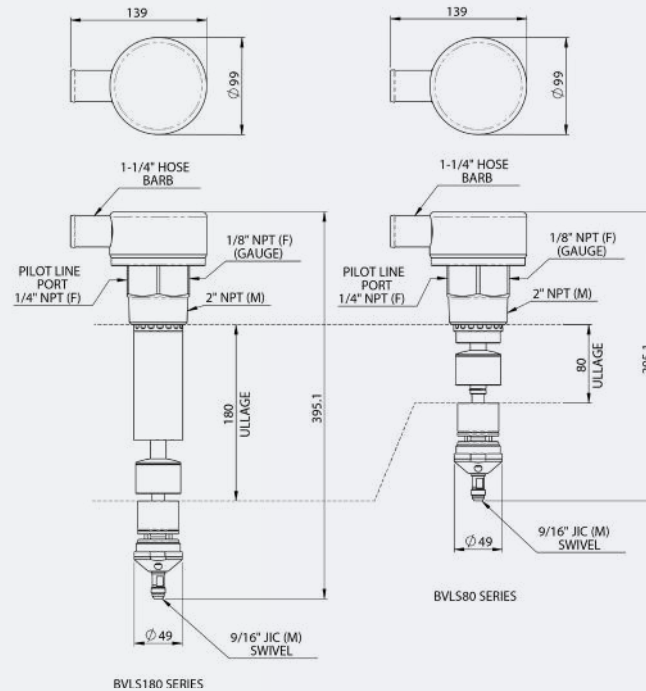


Part Number	Product Description	Tech Specs	Shipping - Dimensions & Weight	Items Included
BFCV23	FillSafe Zero - Flow Control Valve, Suits 800 Series Mining Nozzle	4" NPT(M)	17x12x12cm   2.02kg	Includes Cap
BFCV23R	FillSafe Zero - Flow Control Valve, Suits 800 Series Rail Nozzle - RAIL	4" NPT(M)	17x12x12cm   2.02kg	Includes Cap
BFCV43	FillSafe Zero - Flow Control Valve, Suits 1000 Series Nozzle	4" NPT(M)	17x12x12cm   2.1kg	Includes Cap
BFCV23-CT	FillSafe Zero - Flow Control Valve, Suits 800 Series Mining Nozzle - Cold Temp	4" NPT(M)	17x12x12cm   2.02kg	Includes Cap
BFCV23R-CT	FillSafe Zero - Flow Control Valve, Suits 800 Series Rail Nozzle - RAIL - Cold Temp	4" NPT(M)	17x12x12cm   2.02kg	Includes Cap
BFCV43-CT	FillSafe Zero - Flow Control Valve, Suits 1000 Series Nozzle - Cold Temp	4" NPT(M)	17x12x12cm   2.1kg	Includes Cap

# Vented Level Sensor

Banlaw's Vented Level Sensors do much more than identify when a tank is full:

- ▶ Level sensing to the specified ullage
- ▶ Compatible with internal or external pilot line installations
- ▶ Suitable for vehicles with multiple fuel tanks
- ▶ 1,000 litres per minute (264gpm, 2,118 SCFH) air venting (exhaust and intake)
- ▶ 'Anti-spill' roll over protection
- ▶ Tank pressure gauge port
- ▶ Secondary (top) float for dry-break refuelling system 'shut-off' redundancy
- ▶ 110kPa (16psi) or 49kPa (7psi) pressure relief valve setting options



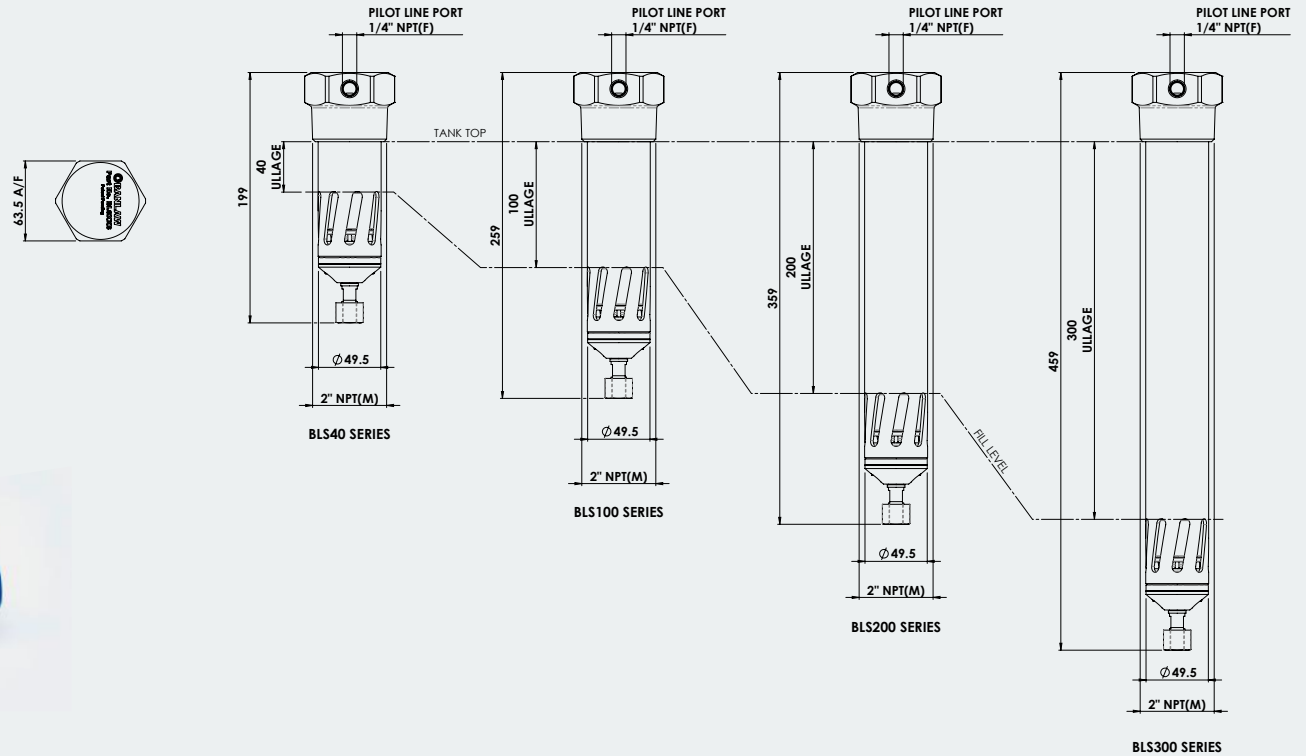
BVLS80

Part Number	Product Description	Tech Specs	Shipping - Dimensions & Weight
BVLS80	FillSafe Zero, Vented Level Sensor, 80mm (3") Nom. Tank Ullage, 16psi RED Cap	2" NPT(M), 16PSI	15x16x30cm   1.69kg
BVLS80-L	FillSafe Zero, Vented Level Sensor, 80mm (3") Nom. Tank Ullage, 7psi GREEN Cap	2" NPT(M), 7PSI	15x16x30cm   1.69kg
BVLS180	FillSafe Zero, Vented Level Sensor, 180mm (7") Nom. Tank Ullage, 16psi RED Cap	2" NPT(M), 16PSI	45x20x10cm   2.2kg
BVLS180-L	FillSafe Zero, Vented Level Sensor, 180mm (7") Nom. Tank Ullage, 7psi GREEN Cap	2" NPT(M), 7PSI	45x20x12cm   2.2kg
BVLS80-CT	FillSafe Zero, Vented Level Sensor, 80mm (3") Nom. Tank Ullage, 16psi RED Cap - Cold Temp	2" NPT(M), 16PSI	15x16x30cm   1.69kg ❄️
BVLS80-L-CT	FillSafe Zero, Vented Level Sensor, 80mm (3") Nom. Tank Ullage, 7psi GREEN Cap - Cold Temp	2" NPT(M), 7PSI	15x16x30cm   1.69kg ❄️
BVLS180-CT	FillSafe Zero, Vented Level Sensor, 180mm (7") Nom. Tank Ullage, 16psi RED Cap - Cold Temp	2" NPT(M), 16PSI	45x20x11cm   2.2kg ❄️
BVLS180-L-CT	FillSafe Zero, Vented Level Sensor, 180mm (7") Nom. Tank Ullage, 7psi GREEN Cap - Cold Temp	2" NPT(M), 7PSI	45x20x13cm   2.2kg ❄️

# Level Sensor

Our Non-Vented Level Sensors are designed for tanks with a separate means of tank venting.

The BLS40 and BLS100 feature External Dual Pilot Line Ports, and all 'B' product variants feature a External Single Pilot Line Port.



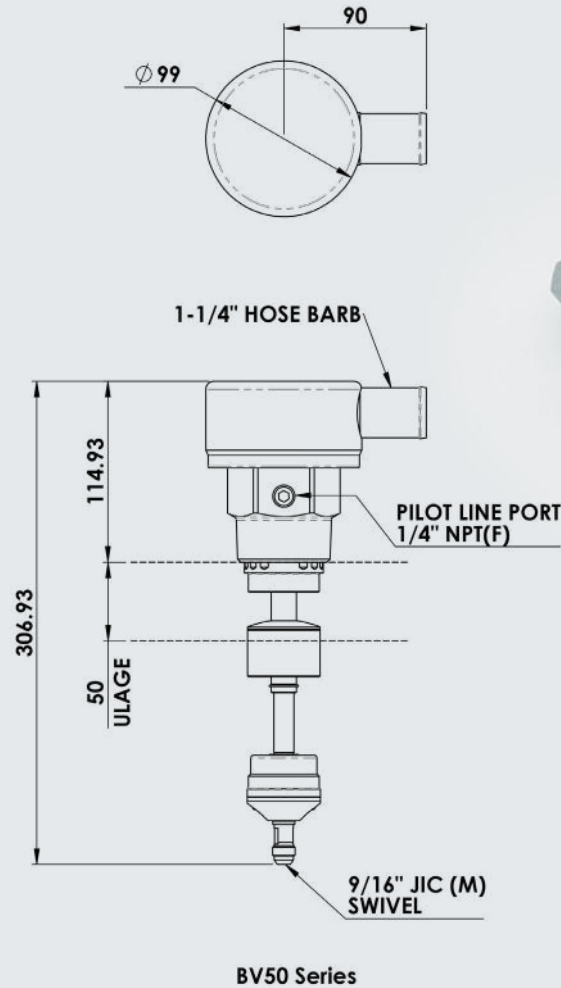
Part Number	Product Description	Tech Specs	Shipping - Dimensions & Weight
BLS40B	FillSafe Zero, Level Sensor, 40mm (1.6") Nom. Tank Ullage	2" NPT(M)	20x7x7cm   0.73kg
BLS40	FillSafe Zero, Level Sensor, 40mm (1.6") Nom. Tank Ullage, Dual Pilot Line	2" NPT(M)	20x7x7cm   0.73kg
BLS70	FillSafe Zero, Level Sensor, 70mm (1.6") Nom. Tank Ullage	2" NPT(M)	22x7x7cm   0.79kg
BLS100B	FillSafe Zero, Level Sensor, 100mm (4") Nom. Tank Ullage	2" NPT(M)	24x7x7cm   0.82kg
BLS100	FillSafe Zero, Level Sensor, 100mm (4") Nom. Tank Ullage, Dual Pilot Line	2" NPT(M)	24x7x7cm   0.82kg
BLS200B	FillSafe Zero, Level Sensor, 200mm (8") Nom. Tank Ullage	2" NPT(M)	34x7x7cm   1.2kg
BLS300B	FillSafe Zero, Level Sensor, 300mm (12") Nom. Tank Ullage	2" NPT(M)	44x7x7cm   1.6kg
BLS40B-CT	FillSafe Zero, Level Sensor, 40mm (1.6") Nom. Tank Ullage - Cold Temp	2" NPT(M)	20x7x7cm   0.73kg ❄️
BLS100B-CT	FillSafe Zero, Level Sensor, 100mm (4") Nom. Tank Ullage - Cold Temp	2" NPT(M)	24x7x7cm   0.82kg ❄️
BLS200B-CT	FillSafe Zero, Level Sensor, 200mm (8") Nom. Tank Ullage - Cold Temp	2" NPT(M)	34x7x7cm   1.2kg ❄️
BLS300B-CT	FillSafe Zero, Level Sensor, 300mm (12") Nom. Tank Ullage - Cold Temp	2" NPT(M)	44x7x7cm   1.6kg ❄️



## Non-Level-Sensing Vent

The Non-Level-Sensing Vent is designed specifically for plant equipment with multiple fuel tanks that are filled via a common refuelling point. It is installed in the 'primary' tank, and connected to a Level Sensor in the 'auxiliary' tank.

The Non-Level Sensing Vent has a top float to maintain system ullage in the primary fuel tank, an anti-spill rollover protection feature built into the head, and comes with a built-in pressure relief valve (16psi or 7psi) to suit your system design.



Part Number	Product Description	Tech Specs	Shipping - Dimensions & Weight
BV50	FillSafe Zero Vent Assembly, Non-level Sensor, 50mm (2") Nom. Tank Ullage, 16psi RED Cap	2" NPT(M), 16PSI	15x16x30cm   1.59kg
BV50-L	FillSafe Zero Vent Assembly, Non-level Sensor, 50mm (2") Nom. Tank Ullage, 7psi GREEN Cap	2" NPT(M), 7PSI	15x16x30cm   1.59kg
BV50-CT	FillSafe Zero Vent Assembly, Non-level Sensor, 50mm (2") Nom. Tank Ullage, 16psi RED Cap Cold Temp	2" NPT(M), 16PSI	15x16x30cm   1.59kg ❄️
BV50-L-CT	FillSafe Zero Vent Assembly, Non-level Sensor, 50mm (2") Nom. Tank Ullage, 7psi GREEN Cap - Cold Temp	2" NPT(M), 7PSI	15x16x30cm   1.59kg ❄️

## Pilot Line

An important part of a FillSafe Zero system is the Pilot Line. The key role of the Pilot Line is to provide a 'signal' link between the Flow Control Valve and the Level Sensor. The pilot line provides the back pressure signal that the level Sensor has made contact with diesel. This signal causes the flow control valve to close and prevent additional fuel from entering the tank.

A Banlaw FillSafe™ Zero system may incorporate either an External or Internal Pilot Line depending on the choice of flow control valve.



BFCV50H-1.0M

Part Number	Product Description	Tech Specs	Shipping - Dimensions & Weight
BFCV50H-0.5M	FillSafe Zero, Pilot Line, Internal, 0.5m Length	9/16" JIC(FF), 0.5M	36x42x2cm   0.46kg
BFCV50H-1.0M	FillSafe Zero, Pilot Line, Internal, 1.0m Length	9/16" JIC(FF), 1.0M	36x42x2cm   0.46kg
BFCV50H-1.5M	FillSafe Zero, Pilot Line, Internal, 1.5m Length	9/16" JIC(FF), 1.5M	36x42x2cm   0.46kg
BFCV50H-2.0M	FillSafe Zero, Pilot Line, Internal, 2.0m Length	9/16" JIC(FF), 2.0M	38x44x2cm   0.5kg
BFCV50H-2.5M	FillSafe Zero, Pilot Line, Internal, 2.5m Length	9/16" JIC(FF), 2.5M	38x44x2cm   0.5kg
BFCV50H-3.0M	FillSafe Zero, Pilot Line, Internal, 3.0m Length	9/16" JIC(FF), 3.0M	38x44x2cm   0.5kg
BFCV50H-3.5M	FillSafe Zero, Pilot Line, Internal, 3.5m Length	9/16" JIC(FF), 3.5M	38x44x2cm   0.5kg
BFCVH-3.0M	FillSafe Zero, Pilot Line, External, 3.0m Length	9/16" JIC(FF), 3.0M	38x44x2cm   0.5kg

## Pilot Line Adaptor

Part Number	Product Description	Tech Specs	Shipping - Dimensions & Weight
000510	Nipple - 1/4" NPT(M) - 3/4" JIC(M)	1/4" NPT(M) - 3/4" JIC(M)	4x2x2cm   0.2kg

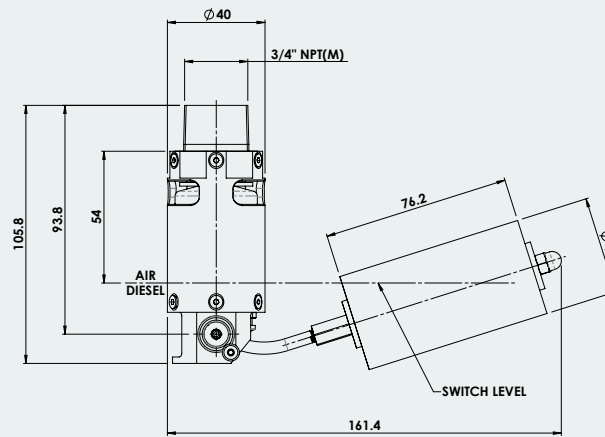
# Splash Fill Float Valve

The Splash Fill Float Valve is for enabling reliable auto-shutoff functionality on equipment that must be splash filled via the fuel tank filler neck. It is installed and configured in such a way that the fluid level inside the fuel tank filler neck rises, causing a standard automatic shutoff fuel nozzle to cease dispensing.

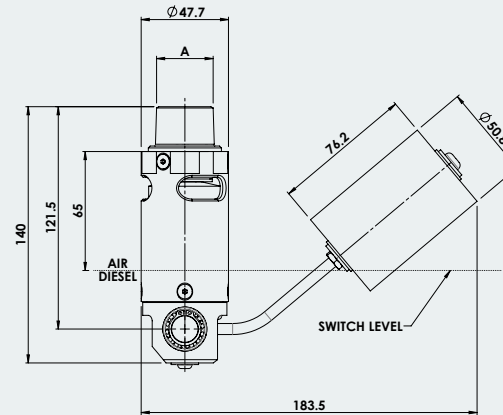
A common use case for the Splash Fill Float Valve is to top up a day tank automatically.

This Splash Fill Float Valve is only suitable for some tank architectures. Please contact a specialist at Banlaw to discuss your requirements.

**Attention:** This is not a Dry Break Refuelling Product.



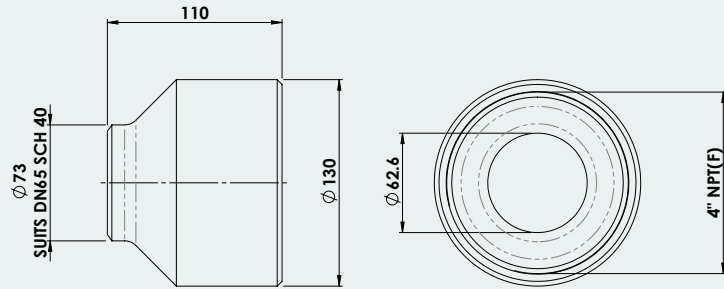
BFSF19N



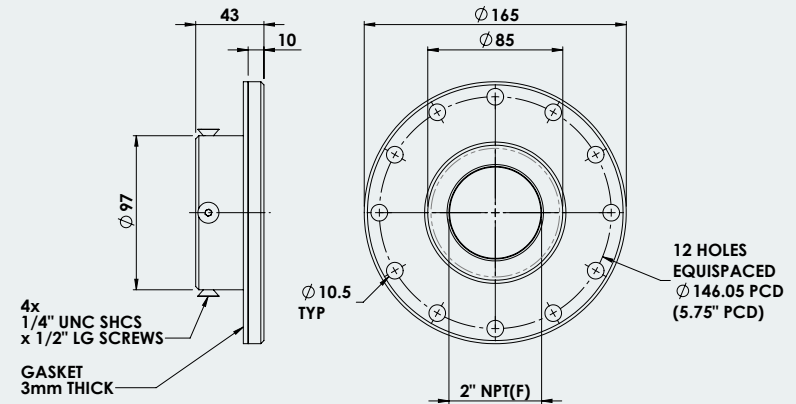
BFSF25

Part Number	Product Description	Tech Specs	Shipping - Dimensions & Weight
BFSF19N	Flow Control Float Valve, 3/4" NPT(M) Inlet	3/4" NPT(M)	16x11x4cm   0.75kg
BFSF25N	Flow Control Float Valve, 1" NPT(M) Inlet	1" NPT(M)	19x15x6cm   1.05kg
BFSF25G	Flow Control Float Valve, 1" BSPP(M) Inlet	1" BSPP(M)	19x15x6cm   1.05kg

# FillSafe Zero Adaptor



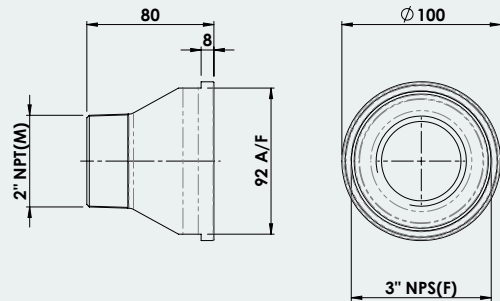
BFCV015 - Adaptor, Filler Neck, 4" NPT(F) X DN65 WN, Steel



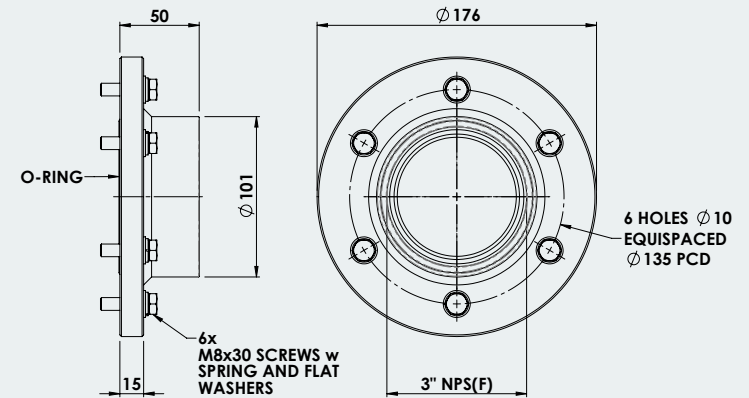
BFCV031A - Adaptor, Caterpillar 16M 12-Bolt - 2" NPT(F) c/w Gasket

Part Number	Product Description	Tech Specs	Shipping - Dimensions & Weight
BFCV015	Adaptor, Filler Neck, 4" NPT(F) X DN65 WN, Steel	4" NPT(F) - DN65 WN	13x13x11   3kg
BFCV018	Adaptor, Filler Neck, 4" NPT(F) X 2" NPT (F), Aluminium	4" NPT(F) - 2" NPT(F)	13x13x14   1.8kg
BFCV022A	Adaptor Flange Assy, 2" NPT(F) - Caterpillar 12-Bolt Tank Inlet c/w O'Ring	2" NPT(F) - CAT 12-BOLT FLANGE	17x17x3   0.8kg
BFCV024A	Adaptor, Flange, Wiggins JNX - 2"NPT(F), c/w Gasket	2" NPT(F) - WIGGINS JNX FLANGE	16x15x3   0.5kg
BFCV026A	Adaptor Assembly, 3" NPS(F) To Hitachi DN50 Check Valve	3" NPS(F) - HITACHI CV FLANGE	16x16x8   1.3kg
BFCV029	Gasket, Adaptor, Flange, Vent, Caterpillar 16M 6-bolt, Nitrile Cork 3mm	GASKET	14x14x1   0.1kg
BFCV031A	Adaptor, Assembly Flange, Inlet, Caterpillar 16M 12-Bolt - 2" NPT(F) c/w Gasket	2" NPT(F) - CAT 12-BOLT FLANGE	17x17x5   0.8kg
BFCV032A	Adaptor, Assembly Flange, Inlet, Caterpillar 12-Bolt - 2" NPT(F) c/w O'Ring	2" NPT(F) - CAT 12-BOLT FLANGE	17x17x5   0.7kg
BFCV035A	Adaptor, 4" NPT(F) - 2" Code 61 O'Ring Face c/w Flange Kit	4" NPT(F)	14x14x17   2.1kg
BFCV038	Adaptor, Code 61 2" Flat Flange - Code 61 2-1/2" Flange Block	2" CODE 61 - 2.5" CODE 61	12x12x10   0.75kg
BFCV039	Stand Pipe, DN100, Weld On, 4" NPT(F), Steel	4" NPT(F) - DN100 WN	13x37x21   6.0kg
BFCV040	Adaptor, 4" NPT (F) - DN100 Weld Neck, Zn Plated Steel	4" NPT(F) - DN100 WN	13x13x9   2.3kg
BFCV041	Adaptor, 3" BSPT(M) - 2" NPT(F), Zn Plated Steel	3" BSPT(M) - 2" NPT(F)	10x10x4   1.1kg
BFCV042	Adaptor, 2" NPT(M) - 2" Code 61, Aluminium	2" NPT(M) - 2" CODE 61	12x12x9   1.1kg
BFCV043A	Adaptor, Flange, Level, Cat 6-Bolt - 2"NPT(F), Aluminium, c/w O'Ring	2" NPT(F) - CAT 6-BOLT FLANGE	14x14x2   0.6kg
BFCV044A	Adaptor, Flange, Inlet, CAT 6-Bolt - 3"NPSF, Aluminium, c/w O'Ring	3" NPS(F) - CAT 6-BOLT FLANGE	17x17x3   0.6kg
BFCV045A	Adaptor, Flange, Inlet, Cat 6 Bolt - 2"NPT(F), Aluminium, c/w O'Ring	2" NPT(F) - CAT 6-BOLT FLANGE	17x17x4   1.3kg
BFCV046	Adaptor, 3" NPS(F) Weld-On Ring, Steel	3" NPS(F)	12x12x4   0.8kg
BFCV047	Adaptor 2" BSPT (M) - 2" NPT(F), Zn Plated Steel	2" BSPT (M) - 2" NPT(F)	8x8x6   0.4kg

# FillSafe Zero Adaptor



BFCV80-001 - Adaptor, 3"NPS(F) - 2"NPT(M), Zn Plated Steel



BFCV80-005A - Adaptor, 3" NPS(F) - Liebherr 994/996 Flange c/w O'Ring

Part Number	Product Description	Tech Specs	Shipping - Dimensions & Weight
BFCV80-001	Adaptor, 3"NPS(F) - 2"NPT(M), Zn Plated Steel	3"NPS(F) - 2"NPT(M)	10x10x8   0.85kg
BFCV80-002	Adaptor, 3"NPS(F) - 2"BSPT(M), Aluminium	3"NPS(F) - 2"BSPT(M)	10x10x8   0.3kg
BFCV80-003	Adaptor, 3"NPT(M) - 2.5" Code 61 Flat Face, Aluminium	3"NPT(M) - 2.5" CODE 61	13x13x7   0.9kg
BFCV80-004	Adaptor, 3"NPT(M) - 2" Code 61 Flat Face, Aluminium	3"NPT(M) - 2" CODE 61	12x12x6   0.9kg
BFCV80-005A	Adaptor Assembly 3" NPS(F) - Liebherr 994/996 Flange c/w O'Ring	3" NPS(F) - LIEBHERR FLANGE	18x18x5   1.2kg
BFCV80-006A	Adaptor Assembly 3" NPS(F) - Komatsu D375 Flange c/w O'Ring	3" NPS(F) - KOMATSU D375 FLANGE	17x17x3   0.6kg
BFCV80-009	Adaptor, 3" NPT(M) - 3" Code 61 Flat Face, Aluminium	3" NPT(M) - 3" CODE 61	16x16x6   1.3kg
BFCV80-010	Adaptor, 3"NPS(F) - 3"NPT(M), Zn Plated Steel	3"NPS(F) - 3"NPT(M)	10x10x6   1kg
BFCV80-011	Adaptor, 3" NPT(M) - 2.5" BSPP(F), Zn Plated Steel	3" NPT(M) - 2.5" BSPP(F)	10x10x6   0.9kg
BFCV80-012	Adaptor, 3" NPS(F) - 2" NPT(F), Zn Plated Steel	3" NPS(F) - 2" NPT(F)	10x10x8   1kg
BFCV80-013A	Adaptor, 3" NPS(F) - Hitachi EH4000 Flange c/w O'Ring	3" NPS(F) - HITACHI EH4000 FLANGE	25x25x3   2.5kg
BFCV80-014	Adaptor, 3" NPS(F) - 2 1/2" BSPT(F), Aluminium	3" NPS(F) - 2 1/2" BSPT(F)	10x10x8   0.4kg
BFCV80-015	Adaptor, 3" NPT(M) - 2" NPT(F), Zn Plated Steel	3" NPT(M) - 2" NPT(F)	10x10x4   1.1kg
BFCV80-017	Adaptor, 3" NPS(F) - 2-1/2" Hose Barb, Zn Plated Steel	3" NPS(F) - 2-1/2"	10x10x15   1.2kg
BFCV80-018	Adaptor, 3" NPS(F) - Wiggins VR310-11, Aluminium	3" NPS(F) - WIGGINS FLANGE	16x15x3   0.7kg
BFCV80-019	Adaptor, 3" NPT(M) - DN50 Weld On, Steel	3" NPT(M) - DN50 WN	10x10x6   0.9kg
BFCV80-020	Adaptor, 3" NPS(F) - 2-1/2" NPT(M), Zn Plated Steel	3" NPS(F) - 2-1/2" NPT(M)	10x10x6   0.8kg

# Fluid Transfer

Banlaw LubeCentral™ products are a selection of fluid transfer couplings designed for industrial environments.

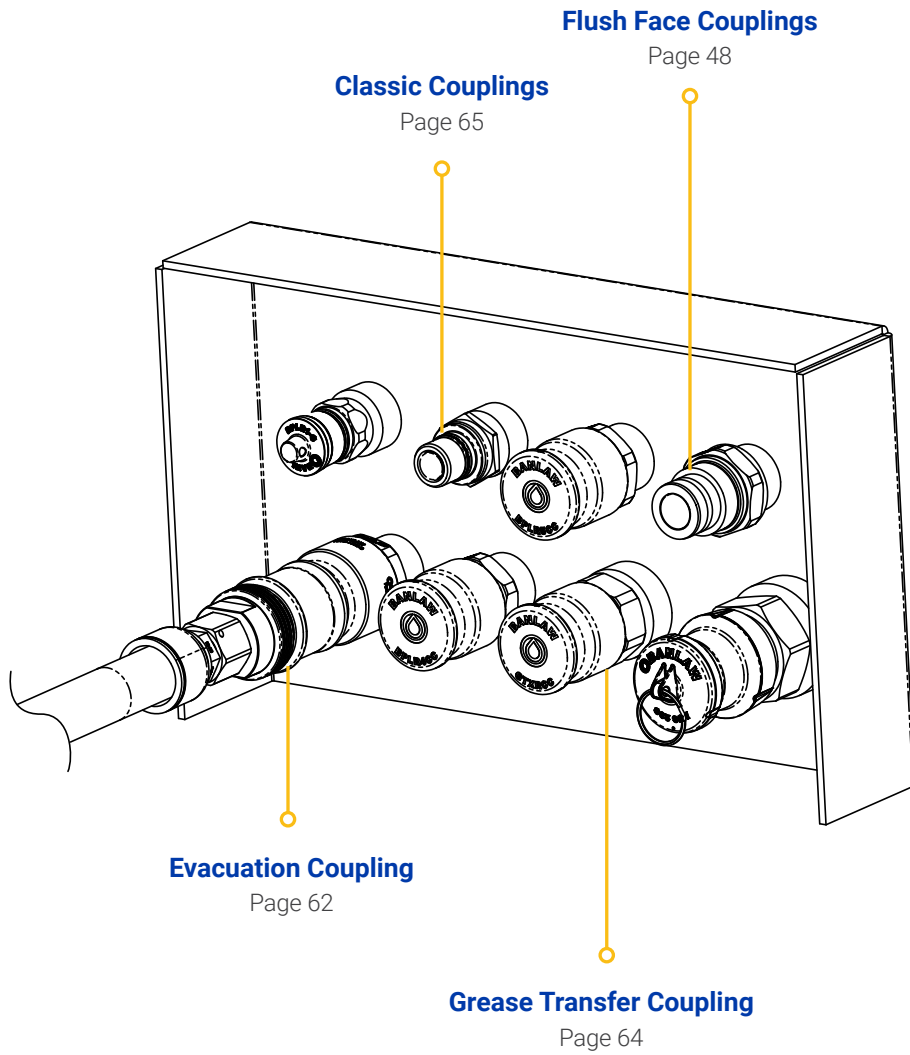
They feature exceptional durability, flow rate capability, and are known for their ability to avoid fluid contamination and spillage.



Go to

Flush Face

Classic



**TOP TIP**  
Fluid transfer nozzles and receivers featuring a flush-faced design are far less likely to allow particulate contaminants into your machines. Simply wipe, and connect.

## Fluid Transfer

Fluid Transfer

# Flush Face

Our Flush Face range of couplings is designed to fill and evacuate a wide range of fluids with maximum efficiency.

They contain a superior 'ball-lock' latching system for a stronger lock connection, Dry Break design for reduced spills, and are Flush Faced to minimise the particulate contaminants which make it into the fluid path.

Each set of couplings are colour coded to assist the operator in identifying matched fittings, and only same-coloured nozzles and receivers can connect, eliminating fluid cross-contamination.

Sound engineering design focused on the internal fluid path means the Banlaw Flush Face Range of couplings has a higher flow capability, and allows for more efficient service intervals.

**Go to**

- [Size 0](#)
- [Size 1](#)
- [Size 2](#)
- [Size 3](#)
- [Size 4](#)
- [Size 5](#)
- [Size 6](#)
- [Size 7](#)
- [Size 8](#)
- [Size 9](#)
- [Size 10](#)
- [Size 11](#)
- [Size 12](#)
- [Evacuation](#)
- [Bulk Fluid Transfer](#)
- [Grease Transfer](#)

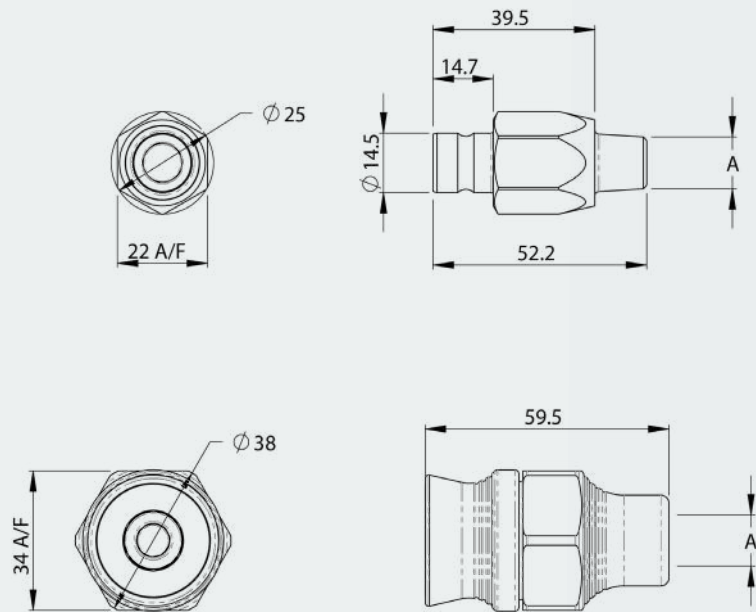




## Size 0 - Silver

The smallest in our flush face range, the Size 0 is perfect for general fluid transfer; but also dosing, withdrawing product samples for analysis, and as a pressure tap for pipeline analysis.

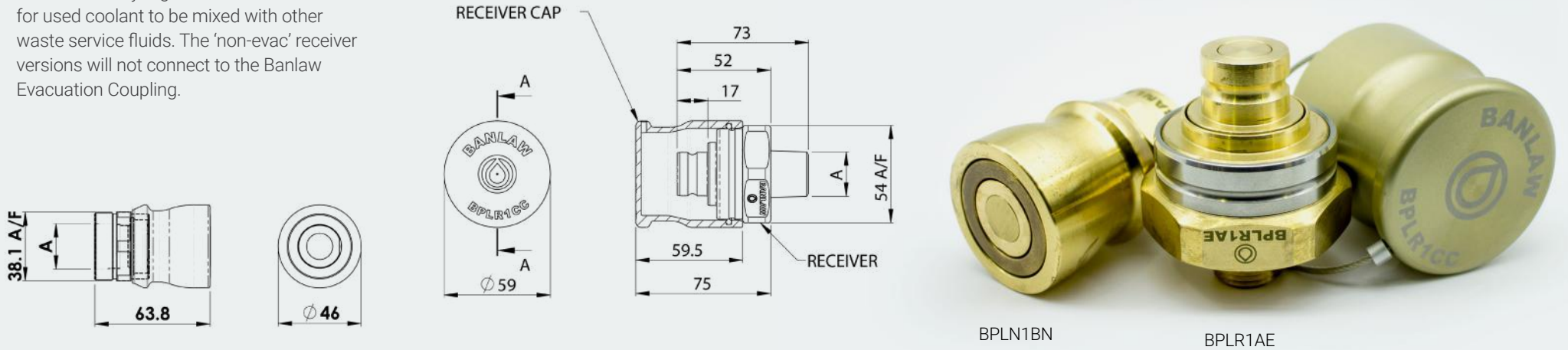
100% stainless steel construction ensures the receiver is not prone to corrosion, and will operate as designed even after significant periods without use.



Part Number	Product Description	Tech Specs - A	Shipping - Dimensions & Weight	Items Included
BPLR0	Flush Face BPL Receiver, 1/4" BSPT, SILVER, Size 0	1/4" BSPT(M)	2x2x6cm   0.084kg	Cap sold separately
BPLROC	Flush Face BPL Receiver Cap, Acetal - Size 0	CAP	10x7x3cm   0.07kg	
BPLN0	Flush Face BPL Nozzle, 1/4" BSPT, SILVER - Size 0	1/4" BSPT(F)	6x4x4cm   0.246kg	

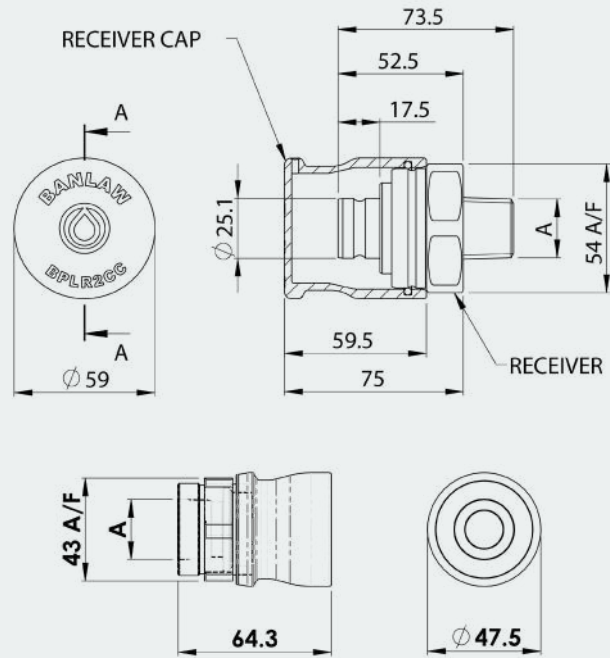
## Size 1 - Brass

Commonly used with coolant, the Size 1 coupling is sold with standard or 'non-evac' receivers. Many organisations do not wish for used coolant to be mixed with other waste service fluids. The 'non-evac' receiver versions will not connect to the Banlaw Evacuation Coupling.



Part Number	Product Description	Tech Specs - A	Shipping - Dimensions & Weight	Items Included
BPLR1AE	Flush Face BPL Receiver, 1/2" NPT, BRASS, Size 1	1/2" NPT(M)	11x6x6cm   0.7kg	Includes Cap
BPLR1AN	Flush Face BPL Receiver, 1/2" NPT, BRASS, Size 1 - Non-Evac	1/2" NPT(M)	7x5x5cm   0.235kg	Cap sold separately
BPLR1BE	Flush Face BPL Receiver, 3/4" NPT, BRASS, Size 1	3/4" NPT(M)	11x6x6cm   0.72kg	Includes Cap
BPLR1BN	Flush Face BPL Receiver, 3/4" NPT, BRASS, Size 1 - Non-Evac	3/4" NPT(M)	7x5x5cm   0.256kg	Cap sold separately
BPLR1CC	Flush Face BPL Receiver Cap, Evac Series, BRASS, Size 1	CAP	6x6x6cm   0.13kg	
BPLR1C	Flush Face BPL Receiver Cap, Nylon, Size 1, Non-Evac	CAP	10x7x3cm   0.07kg	
BPLN1BN	Flush Face BPL Nozzle, 3/4" NPT, BRASS, Size 1	3/4" NPT(F)	6x5x5cm   0.498kg	Cap sold separately
BPLN1CN	Flush Face BPL Nozzle, 1" NPT, BRASS, Size 1	1" NPT(F)	9x5x5cm   0.45kg	Cap sold separately
BPLN1C	Flush Face BPL Nozzle Cap, BRASS, Size 1	CAP	10x7x3cm   0.07kg	
BPLR1AE-CT	Flush Face BPL Receiver, 1/2" NPT, BRASS, Size 1 - Cold Temp	1/2" NPT(M)	11x6x6cm   0.7kg	Includes Cap ❄️
BPLR1BE-CT	Flush Face BPL Receiver, 3/4" NPT, BRASS, Size 1 - Cold Temp	3/4" NPT(M)	11x6x6cm   0.72kg	Includes Cap ❄️
BPLR1CC-CT	Flush Face BPL Receiver Cap, Evac Series, BRASS, Size 1 - Cold Temp	CAP	6x6x6cm   0.13kg	❄️
BPLN1BN-CT	Flush Face BPL Nozzle, 3/4" NPT, BRASS, Size 1 - Cold Temp	3/4" NPT(F)	9x5x5cm   0.84kg	Cap sold separately ❄️
BPLN1CN-CT	Flush Face BPL Nozzle, 1" NPT, BRASS, Size 1 - Cold Temp	1" NPT(F)	9x5x5cm   0.45kg	Cap sold separately ❄️
BPLN1C-CT	Flush Face BPL Nozzle Cap, Size 1, BRASS Coloured - Cold Temp	CAP	10x7x3cm   0.07kg	❄️

## Size 2 - Gold

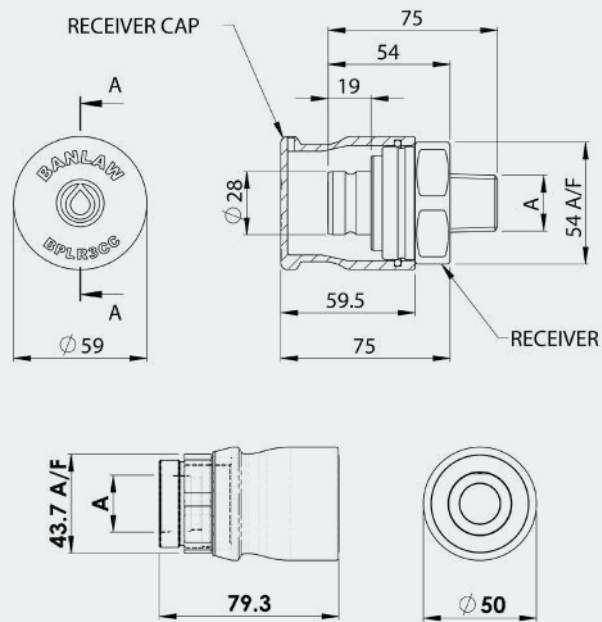


BPLN2BN

BPLR2BE

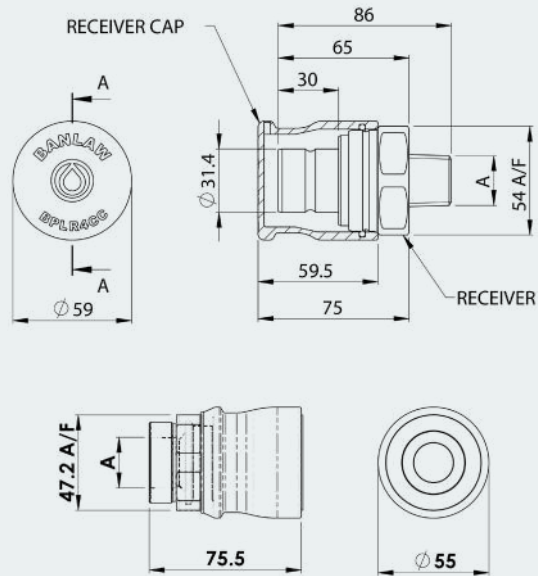
Part Number	Product Description	Tech Specs - A	Shipping - Dimensions & Weight	Items Included
BPLR2BE	Flush Face BPL Receiver, 3/4" NPT, GOLD, Size 2	3/4" NPT(M)	11x6x6cm   0.44kg	Includes Cap
BPLR2CE	Flush Face BPL Receiver, 1" NPT, GOLD, Size 2	1" NPT(M)	11x6x6cm   0.44kg	Includes Cap
BPLR2CC	Flush Face BPL Receiver Cap, Evac Series, GOLD, Size 2	CAP	6x6x6cm   0.13kg	
BPLN2BN	Flush Face BPL Nozzle, 3/4" NPT, GOLD, Size 2	3/4" NPT(F)	9x5x5cm   0.41kg	Cap sold separately
BPLN2CN	Flush Face BPL Nozzle, 1" NPT, GOLD, Size 2	1" NPT(F)	9x5x5cm   0.41kg	Cap sold separately
BPLN2C	Flush Face BPL Nozzle Cap, GOLD, Size 2	CAP	10x7x3cm   0.07kg	
BPLR2BE-CT	Flush Face BPL Receiver, 3/4" NPT, GOLD, Size 2 - Cold Temp	3/4" NPT(M)	11x6x6cm   0.44kg	Includes Cap ❄️
BPLR2CE-CT	Flush Face BPL Receiver, 1" NPT, GOLD, Size 2 - Cold Temp	1" NPT(M)	11x6x6cm   0.44kg	Includes Cap ❄️
BPLR2CC-CT	Flush Face BPL Receiver Cap, Evac Series, GOLD, Size 2 - Cold Temp	CAP	6x6x6cm   0.13kg	❄️
BPLN2BN-CT	Flush Face BPL Nozzle, 3/4" NPT, GOLD, Size 2 - Cold Temp	3/4" NPT(F)	9x5x5cm   0.41kg	Cap sold separately ❄️
BPLN2CN-CT	Flush Face BPL Nozzle, 1" NPT, GOLD, Size 2 - Cold Temp	1" NPT(F)	9x5x5cm   0.41kg	Cap sold separately ❄️
BPLN2C-CT	Flush Face BPL Nozzle Cap, Size 2, GOLD Coloured - Cold Temp	CAP	10x7x3cm   0.07kg	❄️

## Size 3 - Red



Part Number	Product Description	Tech Specs - A	Shipping - Dimensions & Weight	Items Included
BPLR3BE	Flush Face BPL Receiver, 3/4" NPT, RED, Size 3	3/4" NPT(M)	11x6x6cm   0.44kg	Includes Cap
BPLR3CE	Flush Face BPL Receiver, 1" NPT, RED, Size 3	1" NPT(M)	11x6x6cm   0.44kg	Includes Cap
BPLR3CC	Flush Face BPL Receiver Cap, Evac Series, RED, Size 3	CAP	6x6x6cm   0.13kg	
BPLN3BN	Flush Face BPL Nozzle, 3/4" NPT, RED, Size 3	3/4" NPT(F)	10x5x5cm   0.48kg	Cap sold separately
BPLN3CN	Flush Face BPL Nozzle, 1" NPT, RED, Size 3	1" NPT(F)	10x5x5cm   0.48kg	Cap sold separately
BPLN3C	Flush Face BPL Nozzle Cap, RED, Size 3	CAP	10x7x3cm   0.07kg	
BPLR3BE-CT	Flush Face BPL Receiver, 3/4" NPT, RED, Size 3 - Cold Temp	3/4" NPT(M)	11x6x6cm   0.44kg	Includes Cap ❄
BPLR3CE-CT	Flush Face BPL Receiver, 1" NPT, RED, Size 3 - Cold Temp	1" NPT(M)	11x6x6cm   0.44kg	Includes Cap ❄
BPLR3CC-CT	Flush Face BPL Receiver Cap, Evac Series, RED, Size 3 - Cold Temp	CAP	6x6x6cm   0.13kg	❄
BPLN3BN-CT	Flush Face BPL Nozzle, 3/4" NPT, RED, Size 3 - Cold Temp	3/4" NPT(F)	10x5x5cm   0.48kg	Cap sold separately ❄
BPLN3CN-CT	Flush Face BPL Nozzle, 1" NPT, RED, Size 3 - Cold Temp	1" NPT(F)	10x5x5cm   0.48kg	Cap sold separately ❄
BPLN3C-CT	Flush Face BPL Nozzle Cap, Size 3, RED Coloured - Cold Temp	CAP	10x7x3cm   0.07kg	❄

## Size 4 - Black

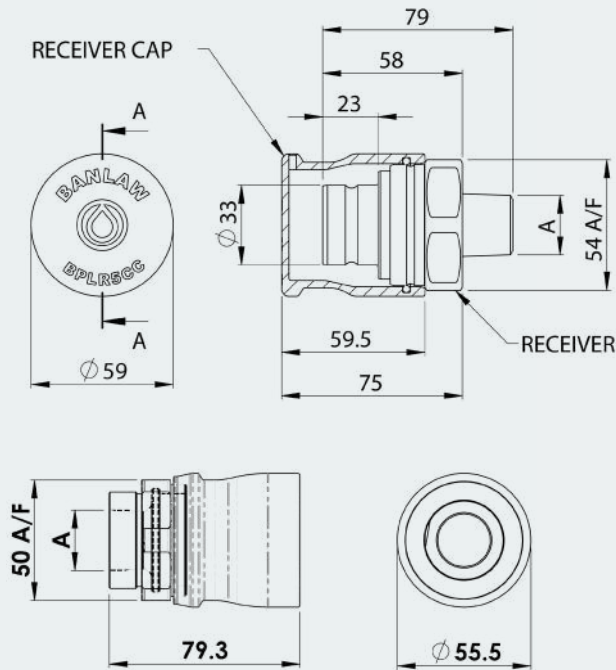


BPLN4BN

BPLR4CE

Part Number	Product Description	Tech Specs - A	Shipping - Dimensions & Weight	Items Included
BPLR4BE	Flush Face BPL Receiver, 3/4" NPT BLACK, Size 4	3/4" NPT(M)	11x6x6cm   0.49kg	Includes Cap
BPLR4CE	Flush Face BPL Receiver, 1" NPT, BLACK, Size 4	1" NPT(M)	11x6x6cm   0.49kg	Includes Cap
BPLR4CC	Flush Face BPL Receiver Cap, Evac Series, BLACK, Size 4	CAP	6x6x6cm   0.13kg	
BPLN4BN	Flush Face BPL Nozzle, 3/4" NPT, BLACK, Size 4	3/4" NPT(F)	10x6x6cm   0.66kg	Cap sold separately
BPLN4CN	Flush Face BPL Nozzle, 1" NPT, BLACK, Size 4	1" NPT(F)	10x6x6cm   0.66kg	Cap sold separately
BPLN4C	Flush Face BPL Nozzle Cap, BLACK, Size 4	CAP	10x7x3cm   0.07kg	
BPLR4BE-CT	Flush Face BPL Receiver, 3/4" NPT BLACK, Size 4 - Cold Temp	3/4" NPT(M)	11x6x6cm   0.49kg	Includes Cap ❄
BPLR4CE-CT	Flush Face BPL Receiver, 1" NPT, BLACK, Size 4 - Cold Temp	1" NPT(M)	11x6x6cm   0.49kg	Includes Cap ❄
BPLR4CC-CT	Flush Face BPL Receiver Cap, Evac Series, BLACK, Size 4 - Cold Temp	CAP	6x6x6cm   0.13kg	❄
BPLN4BN-CT	Flush Face BPL Nozzle, 3/4" NPT, BLACK, Size 4 - Cold Temp	3/4" NPT(F)	10x6x6cm   0.66kg	Cap sold separately ❄
BPLN4CN-CT	Flush Face BPL Nozzle, 1" NPT, BLACK, Size 4 - Cold Temp	1" NPT(F)	10x6x6cm   0.66kg	Cap sold separately ❄
BPLN4C-CT	Flush Face BPL Nozzle Cap, Size 4, BLACK Coloured - Cold Temp	CAP	10x7x3cm   0.07kg	❄

## Size 5 - Green

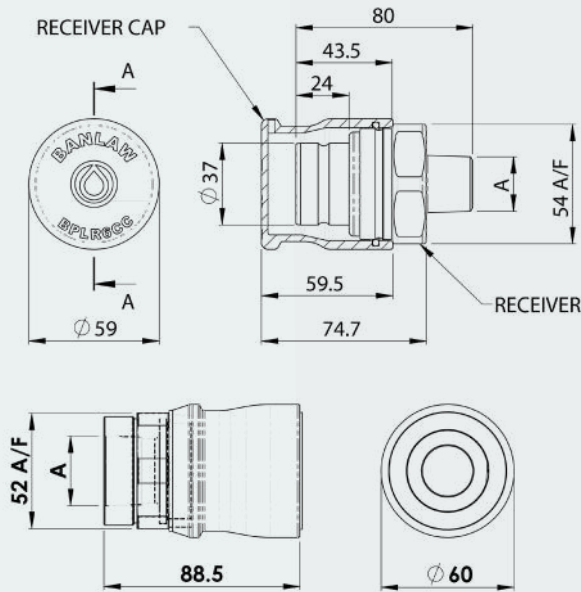


BPLN5BN

BPLR5CE

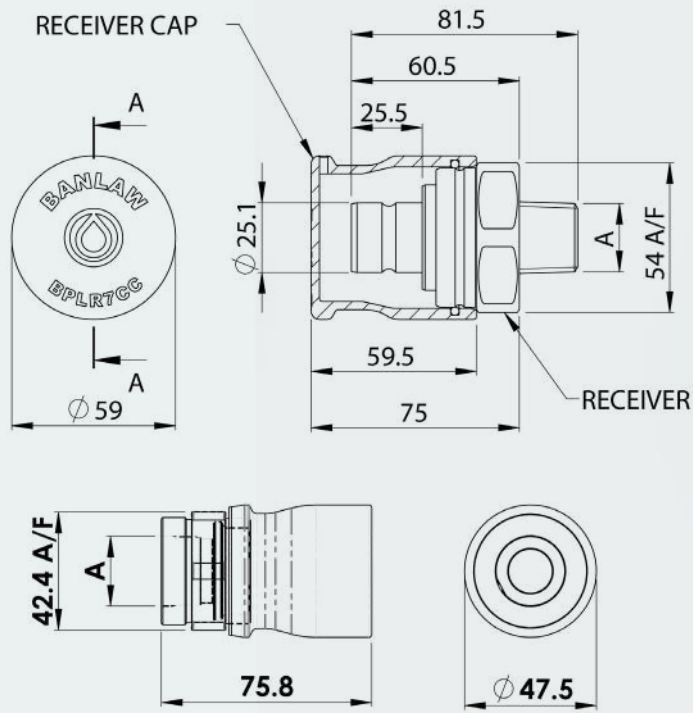
Part Number	Product Description	Tech Specs - A	Shipping - Dimensions & Weight	Items Included
BPLR5BE	Flush Face BPL Receiver, 3/4" NPT, GREEN, Size 5	3/4" NPT(M)	11x6x6cm   0.51kg	Includes Cap
BPLR5CE	Flush Face BPL Receiver, 1" NPT, GREEN, Size 5	1" NPT(M)	11x6x6cm   0.51kg	Includes Cap
BPLR5CC	Flush Face BPL Receiver Cap, Evac Series, GREEN, Size 5	CAP	6x6x6cm   0.13kg	
BPLN5BN	Flush Face BPL Nozzle, 3/4" NPT, GREEN, Size 5	3/4" NPT(F)	11x6x6cm   0.7kg	Cap sold separately
BPLN5CN	Flush Face BPL Nozzle, 1" NPT, GREEN, Size 5	1" NPT(F)	11x6x6cm   0.7kg	Cap sold separately
BPLN5C	Flush Face BPL Nozzle Cap, GREEN, Size 5	CAP	10x7x3cm   0.07kg	
BPLR5BE-CT	Flush Face BPL Receiver, 3/4" NPT, GREEN, Size 5 - Cold Temp	3/4" NPT(M)	11x6x6cm   0.51kg	Includes Cap ❄️
BPLR5CE-CT	Flush Face BPL Receiver, 1" NPT, GREEN, Size 5 - Cold Temp	1" NPT(M)	11x6x6cm   0.51kg	Includes Cap ❄️
BPLR5CC-CT	Flush Face BPL Receiver Cap, Evac Series, GREEN, Size 5 - Cold Temp	CAP	6x6x6cm   0.13kg	❄️
BPLN5BN-CT	Flush Face BPL Nozzle, 3/4" NPT, GREEN, Size 5 - Cold Temp	3/4" NPT(F)	11x6x6cm   0.7kg	Cap sold separately ❄️
BPLN5CN-CT	Flush Face BPL Nozzle, 1" NPT, GREEN, Size 5 - Cold Temp	1" NPT(F)	11x6x6cm   0.7kg	Cap sold separately ❄️
BPLN5C-CT	Flush Face BPL Nozzle Cap, Size 5, GREEN Coloured - Cold Temp	CAP	10x7x3cm   0.07kg	❄️

## Size 6 - Blue



Part Number	Product Description	Tech Specs - A	Shipping - Dimensions & Weight	Items Included
BPLR6BE	Flush Face BPL Receiver, 3/4" NPT, BLUE, Size 6	3/4" NPT(M)	11x6x6cm   0.56kg	Includes Cap
BPLR6CE	Flush Face BPL Receiver, 1" NPT, BLUE, Size 6	1" NPT(M)	11x6x6cm   0.56kg	Includes Cap
BPLR6DE	Flush Face BPL Receiver, 1-1/4" NPT, BLUE, Size 6	1-1/4" NPT(M)	11x6x6cm   0.57kg	Includes Cap
BPLR6CC	Flush Face BPL Receiver Cap, Evac Series, BLUE, Size 6	CAP	6x6x6cm   0.13kg	
BPLN6CN	Flush Face BPL Nozzle, 1" NPT, BLUE, Size 6	1" NPT(F)	12x6x6cm   0.87kg	Cap sold separately
BPLN6DN	Flush Face BPL Nozzle, 1-1/4" NPT, BLUE, Size 6	1-1/4" NPT(F)	12x6x6cm   0.87kg	Cap sold separately
BPLN6C	Flush Face BPL Nozzle Cap, BLUE, Size 6	CAP	10x7x3cm   0.07kg	
BPLR6BE-CT	Flush Face BPL Receiver, 3/4" NPT, BLUE, Size 6 - Cold Temp	3/4" NPT(M)	11x6x6cm   0.56kg	Includes Cap ❄️
BPLR6CE-CT	Flush Face BPL Receiver, 1" NPT, BLUE, Size 6 - Cold Temp	1" NPT(M)	11x6x6cm   0.56kg	Includes Cap ❄️
BPLR6DE-CT	Flush Face BPL Receiver, 1-1/4" NPT, BLUE, Size 6 - Cold Temp	1-1/4" NPT(M)	11x6x6cm   0.57kg	Includes Cap ❄️
BPLR6CC-CT	Flush Face BPL Receiver Cap, Evac Series, BLUE, Size 6 - Cold Temp	CAP	6x6x6cm   0.13kg	❄️
BPLN6CN-CT	Flush Face BPL Nozzle, 1" NPT, BLUE, Size 6 - Cold Temp	1" NPT(F)	12x6x6cm   0.87kg	Cap sold separately ❄️
BPLN6DN-CT	Flush Face BPL Nozzle, 1-1/4" NPT, BLUE, Size 6 - Cold Temp	1-1/4" NPT(F)	12x6x6cm   0.87kg	Cap sold separately ❄️
BPLN6C-CT	Flush Face BPL Nozzle Cap, Size 6, BLUE Coloured - Cold Temp	CAP	10x7x3cm   0.07kg	❄️

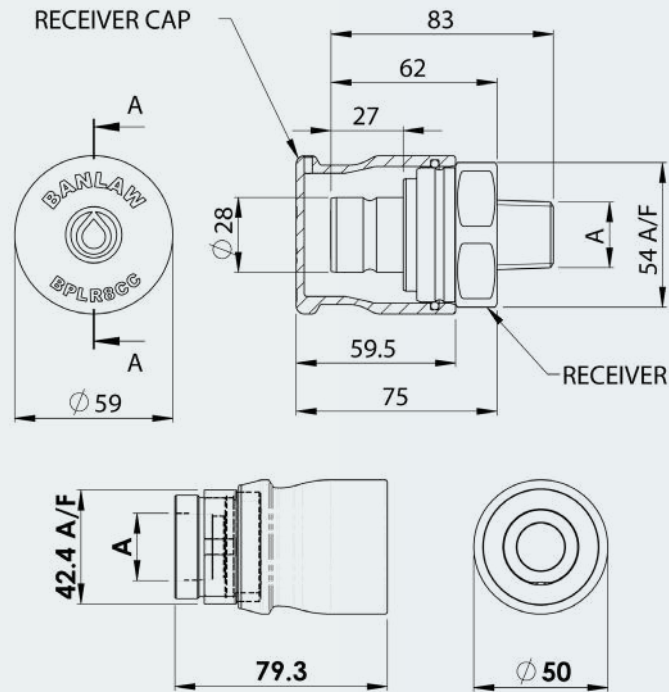
# Size 7 - Purple



Part Number	Product Description	Tech Specs - A	Shipping - Dimensions & Weight	Items Included
BPLR7BE	Flush Face BPL Receiver, 3/4" NPT, PURPLE, Size 7	3/4" NPT(M)	11x6x6cm   0.44kg	Includes Cap
BPLR7CE	Flush Face BPL Receiver, 1" NPT, PURPLE, Size 7	1" NPT(M)	11x6x6cm   0.44kg	Includes Cap
BPLR7CC	Flush Face BPL Receiver Cap, Evac Series, PURPLE, Size 7	CAP	6x6x6cm   0.13kg	
BPLN7BN	Flush Face BPL Nozzle, 3/4" NPT, PURPLE, Size 7	3/4" NPT(F)	11x5x5cm   0.52kg	Cap sold separately
BPLN7CN	Flush Face BPL Nozzle, 1" NPT, PURPLE, Size 7	1" NPT(F)	11x5x5cm   0.52kg	Cap sold separately
BPLN7C	Flush Face BPL Nozzle Cap, PURPLE, Size 7	CAP	10x7x3cm   0.07kg	
BPLR7BE-CT	Flush Face BPL Receiver, 3/4" NPT, PURPLE, Size 7 - Cold Temp	3/4" NPT(M)	11x6x6cm   0.44kg	Includes Cap ❄
BPLR7CE-CT	Flush Face BPL Receiver, 1" NPT, PURPLE, Size 7 - Cold Temp	1" NPT(M)	11x6x6cm   0.44kg	Includes Cap ❄
BPLR7CC-CT	Flush Face BPL Receiver Cap, Evac Series, PURPLE, Size 7 - Cold Temp	CAP	6x6x6cm   0.13kg	❄
BPLN7BN-CT	Flush Face BPL Nozzle, 3/4" NPT, PURPLE, Size 7 - Cold Temp	3/4" NPT(F)	11x5x5cm   0.52kg	Cap sold separately ❄
BPLN7CN-CT	Flush Face BPL Nozzle, 1" NPT, PURPLE, Size 7 - Cold Temp	1" NPT(F)	11x5x5cm   0.52kg	Cap sold separately ❄
BPLN7C-CT	Flush Face BPL Nozzle Cap, Size 7, PURPLE Coloured - Cold Temp	CAP	10x7x3cm   0.07kg	❄



## Size 8 - Platinum/Grey

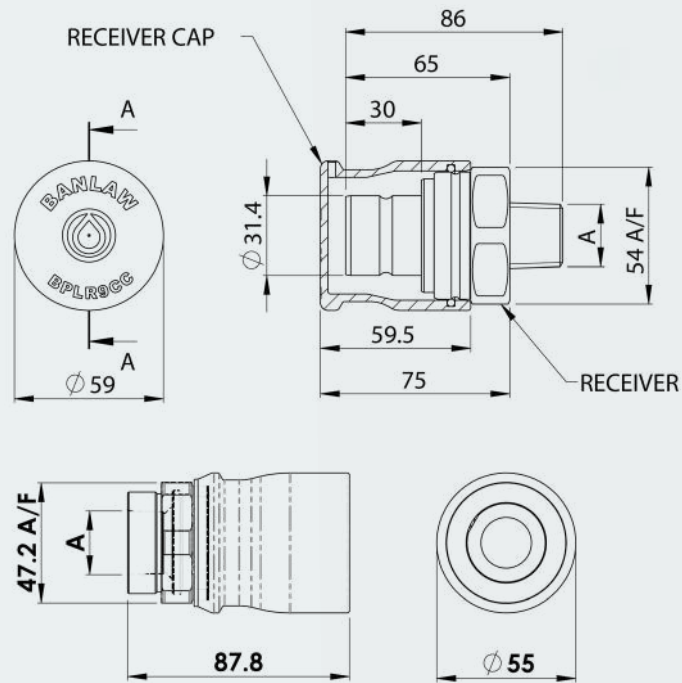


BPLN8BN

BPLR8CE

Part Number	Product Description	Tech Specs - A	Shipping - Dimensions & Weight	Items Included
BPLR8BE	Flush Face BPL Receiver, 3/4" NPT, PLATINUM/GREY, Size 8	3/4" NPT(M)	11x6x6cm   0.45kg	Includes Cap
BPLR8CE	Flush Face BPL Receiver, 1" NPT, PLATINUM/GREY, Size 8	1" NPT(M)	11x6x6cm   0.45kg	Includes Cap
BPLR8CC	Flush Face BPL Receiver Cap, Evac Series, PLATINUM/GREY, Size 8	CAP	6x6x6cm   0.13kg	
BPLN8BN	Flush Face BPL Nozzle, 3/4" NPT, PLATINUM/GREY, Size 8	3/4" NPT(F)	11x5x5cm   0.58kg	Cap sold separately
BPLN8CN	Flush Face BPL Nozzle, 1" NPT, PLATINUM/GREY, Size 8	1" NPT(F)	11x5x5cm   0.58kg	Cap sold separately
BPLN8C	Flush Face BPL Nozzle Cap, PLATINUM/GREY, Size 8	CAP	10x7x3cm   0.07kg	
BPLR8BE-CT	Flush Face BPL Receiver, 3/4" NPT, PLATINUM/GREY, Size 8 - Cold Temp	3/4" NPT(M)	11x6x6cm   0.45kg	Includes Cap ❄
BPLR8CE-CT	Flush Face BPL Receiver, 1" NPT, PLATINUM/GREY, Size 8 - Cold Temp	1" NPT(M)	11x6x6cm   0.45kg	Includes Cap ❄
BPLR8CC-CT	Flush Face BPL Receiver Cap, Evac Series, PLATINUM/GREY, Size 8 - Cold Temp	CAP	6x6x6cm   0.13kg	❄
BPLN8BN-CT	Flush Face BPL Nozzle, 3/4" NPT, PLATINUM/GREY, Size 8 - Cold Temp	3/4" NPT(F)	11x5x5cm   0.58kg	Cap sold separately ❄
BPLN8CN-CT	Flush Face BPL Nozzle, 1" NPT, PLATINUM/GREY, Size 8 - Cold Temp	1" NPT(F)	11x5x5cm   0.58kg	Cap sold separately ❄
BPLN8C-CT	Flush Face BPL Nozzle Cap, Size 8, PLATINUM/GREY Coloured - Cold Temp	CAP	10x7x3cm   0.07kg	❄

## Size 9 - Bronze/Tan

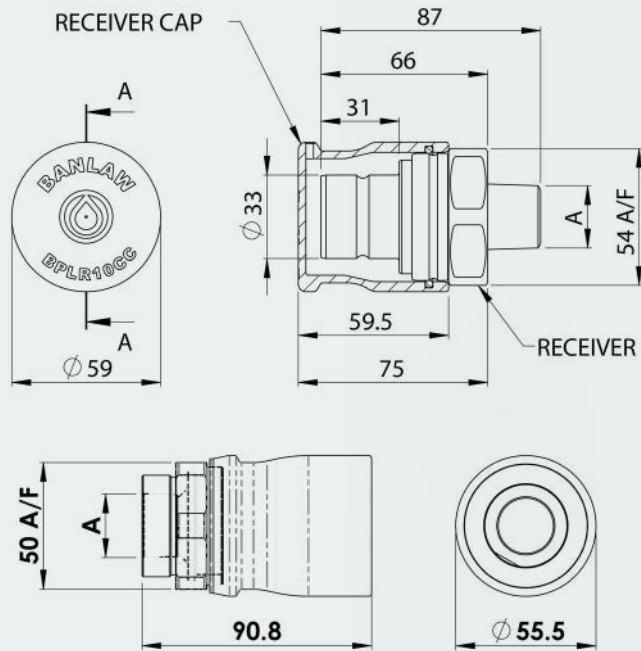


BPLN9BN

BPLR9BE

Part Number	Product Description	Tech Specs - A	Shipping - Dimensions & Weight	Items Included
BPLR9BE	Flush Face BPL Receiver, 3/4" NPT, BRONZE/TAN, Size 9	3/4" NPT(M)	11x6x6cm   0.51kg	Includes Cap
BPLR9CE	Flush Face BPL Receiver, 1" NPT, BRONZE/TAN, Size 9	1" NPT(M)	11x6x6cm   0.51kg	Includes Cap
BPLR9CC	Flush Face BPL Receiver Cap, Evac Series, BRONZE/TAN, Size 9	CAP	6x6x6cm   0.13kg	
BPLN9BN	Flush Face BPL Nozzle, 3/4" NPT, BRONZE/TAN, Size 9	3/4" NPT(F)	11x6x6cm   0.79kg	Cap sold separately
BPLN9CN	Flush Face BPL Nozzle, 1" NPT, BRONZE/TAN, Size 9	1" NPT(F)	11x6x6cm   0.79kg	Cap sold separately
BPLN9C	Flush Face BPL Nozzle Cap, BRONZE/TAN, Size 9	CAP	10x7x3cm   0.07kg	
BPLR9BE-CT	Flush Face BPL Receiver, 3/4" NPT, BRONZE/TAN, Size 9 - Cold Temp	3/4" NPT(M)	11x6x6cm   0.51kg	Includes Cap ❄
BPLR9CE-CT	Flush Face BPL Receiver, 1" NPT, BRONZE/TAN, Size 9 - Cold Temp	1" NPT(M)	11x6x6cm   0.51kg	Includes Cap ❄
BPLR9CC-CT	Flush Face BPL Receiver Cap, Evac Series, BRONZE/TAN, Size 9 - Cold Temp	CAP	6x6x6cm   0.13kg	❄
BPLN9BN-CT	Flush Face BPL Nozzle, 3/4" NPT, BRONZE/TAN, Size 9 - Cold Temp	3/4" NPT(F)	11x6x6cm   0.79kg	Cap sold separately ❄
BPLN9CN-CT	Flush Face BPL Nozzle, 1" NPT, BRONZE/TAN, Size 9 - Cold Temp	1" NPT(F)	11x6x6cm   0.79kg	Cap sold separately ❄
BPLN9C-CT	Flush Face BPL Nozzle Cap, Size 9, BRONZE/TAN Coloured - Cold Temp	CAP	10x7x3cm   0.07kg	❄

# Size 10 - Orange

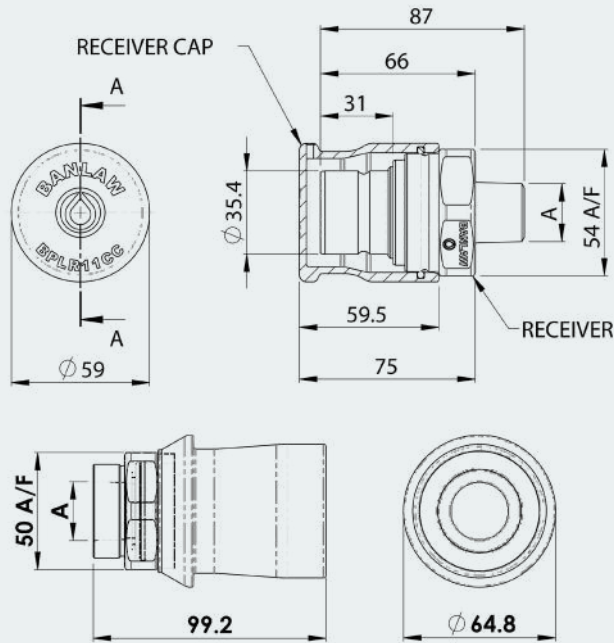


BPLN10BN

BPLR10CE

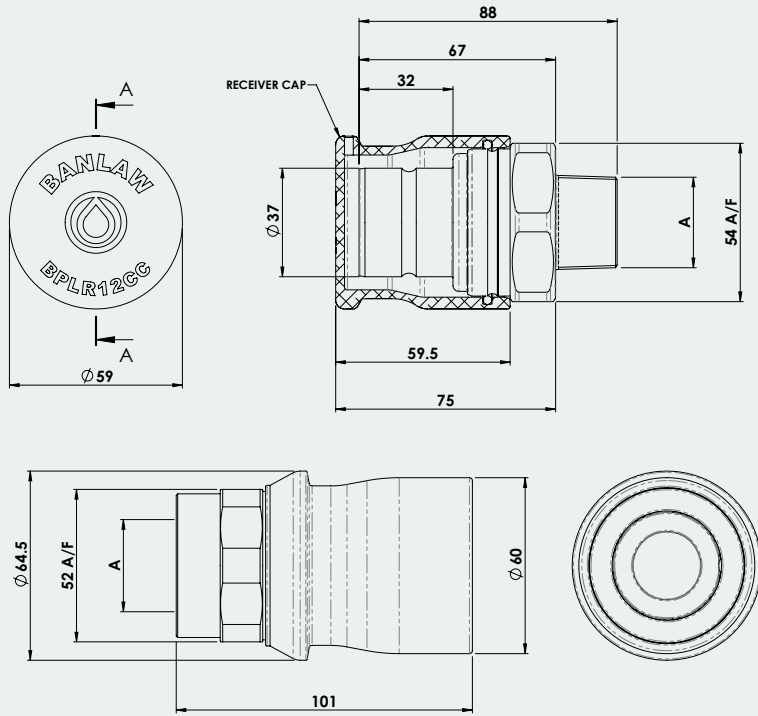
Part Number	Product Description	Tech Specs - A	Shipping - Dimensions & Weight	Items Included
BPLR10BE	Flush Face BPL Receiver, 3/4" NPT, ORANGE, Size 10	3/4" NPT(M)	11x6x6cm   0.53kg	Includes Cap
BPLR10CE	Flush Face BPL Receiver, 1" NPT, ORANGE, Size 10	1" NPT(M)	11x6x6cm   0.53kg	Includes Cap
BPLR10CC	Flush Face BPL Receiver Cap, Size 10, Evac Series, ORANGE, Size 10	CAP	6x6x6cm   0.13kg	
BPLN10BN	Flush Face BPL Nozzle, 3/4" NPT, ORANGE, Size 10	3/4" NPT(F)	11x6x6cm   0.84kg	Cap sold separately
BPLN10CN	Flush Face BPL Nozzle, 1" NPT, ORANGE, Size 10	1" NPT(F)	11x6x6cm   0.84kg	Cap sold separately
BPLN10C	Flush Face BPL Nozzle Cap, ORANGE, Size 10	CAP	10x7x3cm   0.07kg	
BPLR10BE-CT	Flush Face BPL Receiver, 3/4" NPT, ORANGE, Size 10 - Cold Temp	3/4" NPT(M)	11x6x6cm   0.53kg	Includes Cap ❄️
BPLR10CE-CT	Flush Face BPL Receiver, 1" NPT, ORANGE, Size 10 - Cold Temp	1" NPT(M)	11x6x6cm   0.53kg	Includes Cap ❄️
BPLR10CC-CT	Flush Face BPL Receiver Cap, Size 10, Evac Series, ORANGE, Size 10 - Cold Temp	CAP	6x6x6cm   0.13kg	❄️
BPLN10BN-CT	Flush Face BPL Nozzle, 3/4" NPT, ORANGE, Size 10 - Cold Temp	3/4" NPT(F)	11x6x6cm   0.84kg	Cap sold separately ❄️
BPLN10CN-CT	Flush Face BPL Nozzle, 1" NPT, ORANGE, Size 10 - Cold Temp	1" NPT(F)	11x6x6cm   0.84kg	Cap sold separately ❄️
BPLN10C-CT	Flush Face BPL Nozzle Cap, Size 10, ORANGE Coloured - Cold Temp	CAP	10x7x3cm   0.07kg	❄️

# Size 11 - Silver



Part Number	Product Description	Tech Specs - A	Shipping - Dimensions & Weight	Items Included
BPLR11BE	Flush Face BPL Receiver, 3/4" NPT, SILVER, Size 11	3/4" NPT(M)	11x7x7cm   0.82kg	Includes Cap
BPLR11CE	Flush Face BPL Receiver, 1" NPT, SILVER, Size 11	1" NPT(M)	11x7x7cm   0.82kg	Includes Cap
BPLR11CC	Flush Face BPL Receiver Cap, SILVER, Size 11	CAP	6x6x6cm   0.13kg	
BPLN11BP	Flush Face BPL Nozzle, 3/4" NPT, SILVER, Size 11	3/4" NPT(F)	10x6x6cm   1.2kg	Cap sold separately
BPLN11CP	Flush Face BPL Nozzle, 1" NPT, SILVER, Size 11	1" NPT(F)	11x7x7cm   0.84kg	Cap sold separately
BPLN11C	Flush Face BPL Nozzle Cap, SILVER, Size 11	CAP	10x7x3cm   0.07kg	
BPLR11BE-CT	Flush Face BPL Receiver, 3/4" NPT, SILVER, Size 11 - Cold Temp	3/4" NPT(M)	11x7x7cm   0.82kg	Includes Cap ❄️
BPLR11CE-CT	Flush Face BPL Receiver, 1" NPT, SILVER, Size 11 - Cold Temp	1" NPT(M)	11x7x7cm   0.82kg	Includes Cap ❄️
PLR11CC-CT	Flush Face BPL Receiver Cap, SILVER, Size 11 - Cold Temp	CAP	6x6x6cm   0.13kg	❄️
BPLN11BP-CT	Flush Face BPL Nozzle, 3/4" NPT, SILVER, Size 11 - Cold Temp	3/4" NPT(F)	10x6x6cm   1.2kg	Cap sold separately ❄️
BPLN11CP-CT	Flush Face BPL Nozzle, 1" NPT, SILVER, Size 11 - Cold Temp	1" NPT(F)	11x7x7cm   0.84kg	Cap sold separately ❄️
BPLN11C-CT	Flush Face BPL Nozzle Cap, Size 11, SILVER Coloured - Cold Temp	CAP	10x7x3cm   0.07kg	❄️

# Size 12 - Pink



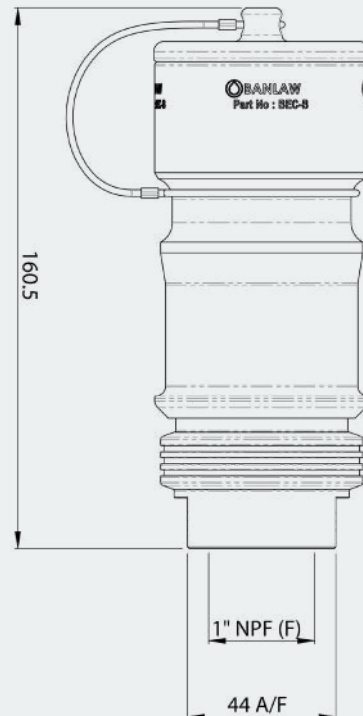
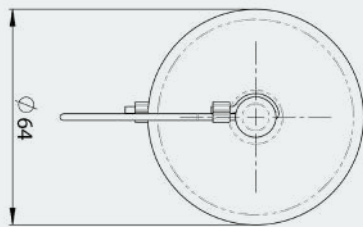
BPLN12BN

BPLR12CE

Part Number	Product Description	Tech Specs - A	Shipping - Dimensions & Weight	Items Included
BPLR12BE	Flush Face BPL Receiver, 3/4" NPT, PINK, Size 12	3/4" NPT(M)	11x6x6cm   0.58kg	Includes Cap
BPLR12CE	Flush Face BPL Receiver, 1" NPT, PINK, Size 12	1" NPT(M)	11x6x6cm   0.58kg	Includes Cap
BPLR12CC	Flush Face BPL Receiver Cap, Evac Series, PINK, Size 12	CAP	6x6x6cm   0.13kg	
BPLN12BN	Flush Face BPL Nozzle, 3/4" NPT, PINK, Size 12	3/4" NPT(F)	11x6x6cm   1.03kg	Cap sold separately
BPLN12CN	Flush Face BPL Nozzle, 1" NPT, PINK, Size 12	1" NPT(F)	12x6x6cm   1.03kg	Cap sold separately
BPLN12C	Flush Face BPL Nozzle Cap, PINK, Size 12	CAP	10x7x3cm   0.07kg	
BPLR12BE-CT	Flush Face BPL Receiver, 3/4" NPT, PINK, Size 12 - Cold Temp	3/4" NPT(M)	11x6x6cm   0.58kg	Includes Cap ❄
BPLR12CE-CT	Flush Face BPL Receiver, 1" NPT, PINK, Size 12 - Cold Temp	1" NPT(M)	11x6x6cm   0.58kg	Includes Cap ❄
BPLR12CC-CT	Flush Face BPL Receiver Cap, Evac Series, PINK, Size 12 - Cold Temp	CAP	6x6x6cm   0.13kg	❄
BPLN12BN-CT	Flush Face BPL Nozzle, 3/4" NPT, PINK, Size 12 - Cold Temp	3/4" NPT(F)	11x6x6cm   1.03kg	Cap sold separately ❄
BPLN12CN-CT	Flush Face BPL Nozzle, 1" NPT, PINK, Size 12 - Cold Temp	1" NPT(F)	12x6x6cm   1.03kg	Cap sold separately ❄
BPLN12C-CT	Flush Face BPL Nozzle Cap, Size 12, PINK Coloured - Cold Temp	CAP	10x7x3cm   0.07kg	❄

## Evacuation

Banlaw Evacuation Couplings transform waste fluid removal practices. Using just one Coupling, service teams can connect to all the Banlaw Flush Face receivers from size 1 to size 12. Waste products are cleanly evacuated using a vacuum rather than gravity to reduce fluid removal times.



BEC-B

Part Number	Product Description	Tech Specs	Shipping - Dimensions & Weight	Items Included
BEC-B	Flush Face BPL Evacuation Coupling 1" NPT- Suits All BPLR**E Receivers	1" NPT(F)	15x7x7cm   1.67kg	Includes Plug
BEC-B-CT	Flush Face BPL Evacuation Coupling 1" NPT - Suits All BPLR**E Receivers - Cold Temp	1" NPT(F)	15x7x7cm   1.67kg	Includes Plug ❄️

# Bulk Fluid Transfer

Our Bulk Fluid Transfer Coupling is designed for the bi-directional transfer of diesel at up to 500lpm. It may also be used for the bulk transfer of other compatible fluid types.

Originally designed for in-line refuelling during long haul rail trips, the coupling will not leak under load and vibration.

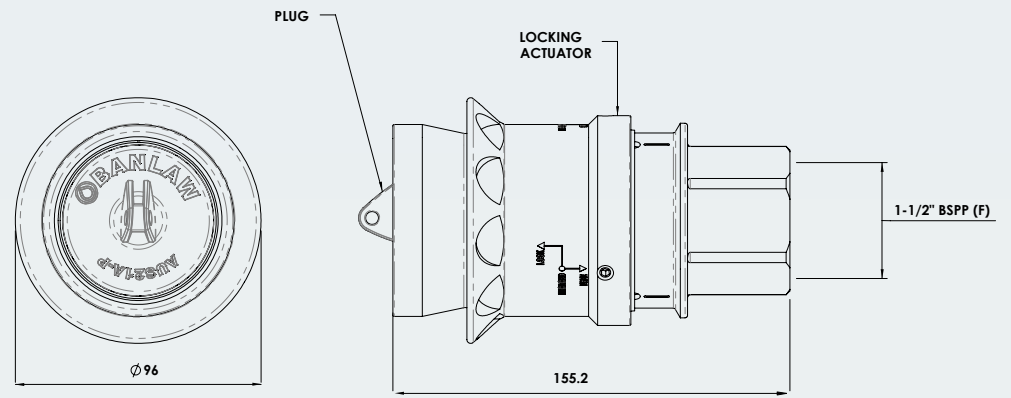
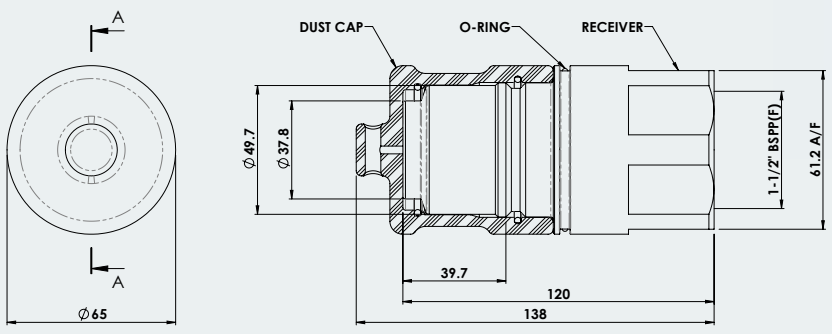
It includes a positive twist-lock mechanism, so that when it's correctly connected, it stays connected.

The Banlaw Bulk Transfer Coupling may connect under residual nozzle side line pressure, or disconnect under residual line pressure.



BRC40

BNC40



Part Number	Product Description	Tech Specs	Shipping - Dimensions & Weight	Items Included
BRC40	Bulk Transfer Inline Transfer Coupling Receiver Inc. cap	1-1/2" BSPP(F)	14x7x7cm   1.35kg	Includes Cap
BRC40-C	Bulk Transfer Receiver Cap	CAP	10x7x3cm   0.07kg	
BNC40	Bulk Transfer Inline Transfer Coupling Nozzle	1-1/2" BSPP(F)	17x10x10cm   2.3kg	Includes Plug
BRC40-CT	Bulk Transfer Inline Transfer Coupling Receiver Inc. cap - Cold Temp	1-1/2" BSPP(F)	14x7x7cm   1.35kg	Includes Cap ❄️
BRC40-C-CT	Bulk Transfer Receiver Cap - Cold Temp	CAP	10x7x3cm   0.07kg	❄️
BNC40-CT	Bulk Transfer Inline Transfer Coupling Nozzle - Cold Temp	1-1/2" BSPP(F)	17x10x10cm   2.3kg	Includes Plug ❄️

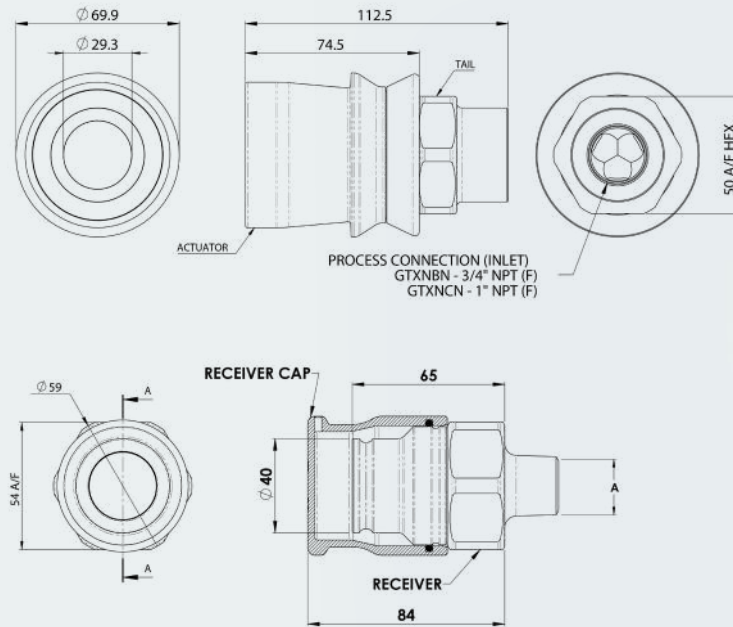
# Grease Transfer

The patented Banlaw Grease Transfer Coupling is safe, fast, and easy-to-use.

Flush-faced design and a positive-connect feel mitigate the risk of common grease-related injuries.

The GTX also offers superior grease transfer rates when compared with competitor products.

Unlike typical grease couplings, the GTX won't discharge grease onto the ground. Flow will only occur when the nozzle and receiver are connected.



GTXNBN

GTXRB

Part Number	Product Description	Tech Specs - A	Shipping - Dimensions & Weight	Items Included
GTXRA	Flush Face Grease Transfer Receiver, 1/2" NPT	1/2" NPT(M)	6x6x10cm   0.58kg	Includes Cap
GTXRB	Flush Face Grease Transfer Receiver, 3/4" NPT	3/4" NPT(M)	6x6x10cm   0.58kg	Includes Cap
GTXRBO	Flush Face Grease Transfer Receiver, 3/4" UNO	3/4" UNO(M)	6x6x10cm   0.58kg	Includes Cap
GTXRC	Flush Face Grease Transfer Receiver, 1" NPT	1" NPT(M)	6x6x10cm   0.58kg	Includes Cap
GTXNBN	Flush Face Grease Transfer Nozzle, 3/4" NPT	3/4" NPT(F)	7x7x13cm   1.1kg	Cap sold separately
GTXNCN	Flush Face Grease Transfer Nozzle, 1" NPT	1" NPT(F)	7x7x13cm   1.1kg	Cap sold separately
GTXRCC	Flush Face Grease Transfer Receiver Cap, BRIGHT BLUE	CAP	6x6x7cm   0.13kg	
GTXRA-CT	Flush Face Grease Transfer Receiver, 1/2" NPT - Cold Temp	1/2" NPT(M)	6x6x10cm   0.58kg	Includes Cap ❄️
GTXRB-CT	Flush Face Grease Transfer Receiver, 3/4" NPT - Cold Temp	3/4" NPT(M)	6x6x10cm   0.58kg	Includes Cap ❄️
GTXRBO-CT	Flush Face Grease Transfer Receiver, 3/4" UNO - Cold Temp	3/4" UNO(M)	6x6x10cm   0.58kg	Includes Cap ❄️
GTXRC-CT	Flush Face Grease Transfer Receiver, 1" NPT - Cold Temp	1" NPT(M)	10x6x6cm   0.58kg	Includes Cap ❄️
GTXRCC-CT	Flush Face Grease Transfer Receiver Cap, BRIGHT BLUE- Cold Temp	CAP	6x6x7cm   0.13kg	❄️
GTXNBN-CT	Flush Face Grease Transfer Nozzle, 3/4" NPT - Cold Temp	3/4" NPT(F)	7x7x13cm   1.1kg	Cap sold separately ❄️
GTXNCN-CT	Flush Face Grease Transfer Nozzle, 1" NPT - Cold Temp	1" NPT(F)	7x7x13cm   1.1kg	Cap sold separately ❄️



Fluid Transfer

# Classic

Banlaw's Classic range of couplings has been proven in some of the world's harshest environments for decades.

Today the classic range is still relevant, and used by many organisations that require high flow rates, durability, and also premium manufacture quality.

A unique coupling is provided for each oil, grease or coolant type, eliminating the possibility of cross-contamination.

Go to

Coolant

Crankcase

Hydraulic

Transmission

Push-to-Connect

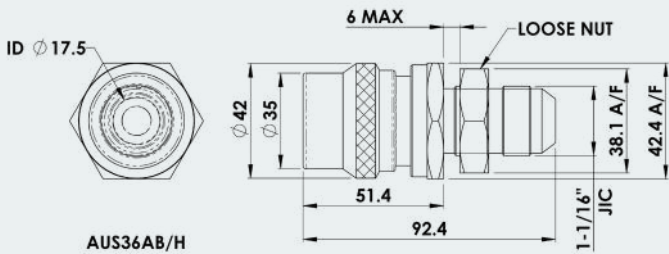
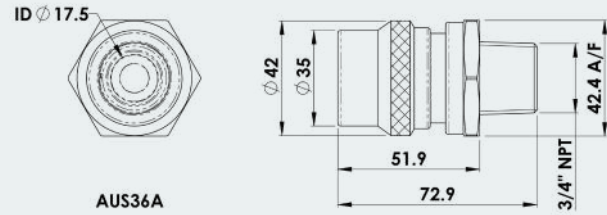
R Series

Grease

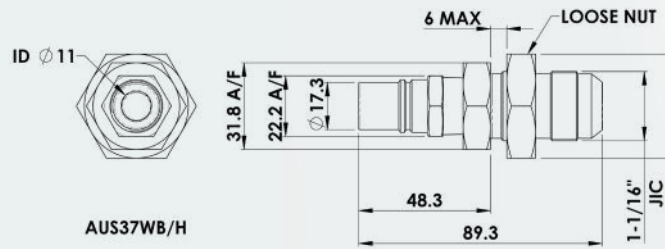
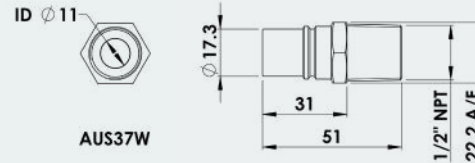


# Coolant

## NOZZLES

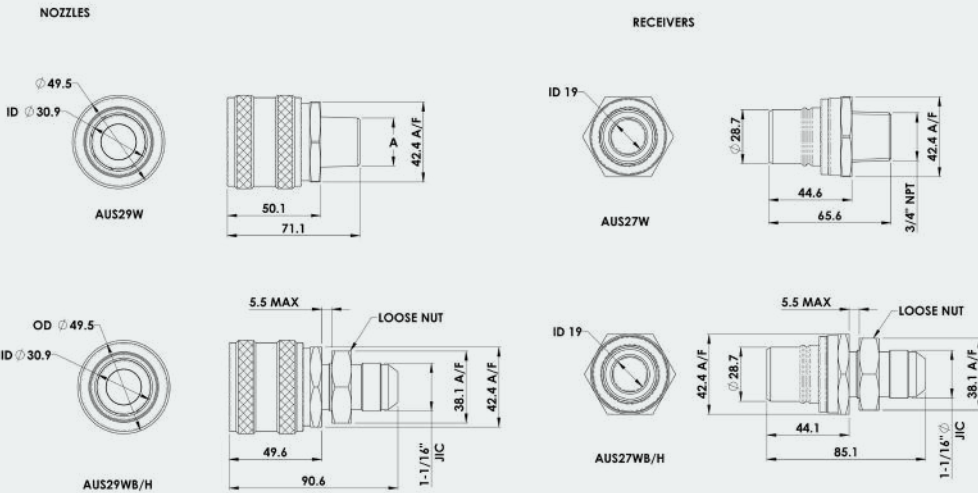


## RECEIVERS



Part Number	Product Description	Tech Specs	Shipping - Dimensions & Weight	Items Included
AUS37W	Receiver Coolant 1/2" NPT (Male) - Couples with AUS36A Series	1/2" NPT(M)	5x2x2cm   0.06kg	Cap sold separately
AUS37WB/H	Receiver Coolant 1-1/16" JIC (Male) Bulkhead fitting - Couples with AUS36A Series	1-1/16" JIC(M)	6x2x2cm   0.08kg	Cap sold separately
AUS37W-C	Receiver Coolant Cap to suit AUS37W Series	CAP	10x7x3cm   0.03kg	
AUS36A	Nozzle Coolant 3/4" NPT (Male) - Couples with AUS37W Series	3/4" NPT(M)	8x6x6cm   0.368kg	Plug sold separately
AUS36A-B	Nozzle Coolant 1/2" NPT (Male) - Couples with AUS37W Series	1/2" NPT(M)	8x6x6cm   0.368kg	Plug sold separately
AUS36AB/H	Nozzle Coolant 1-1/16" JIC (Male) Bulkhead - Couples with AUS37W Series	1-1/16" JIC(M)	9x6x6cm   0.4kg	Plug sold separately
AUS36A-P	Nozzle Coolant Plug to suit AUS36A Series	PLUG	13x6x3cm   0.026kg	
AUS37WB/H-CT	Receiver Coolant 1-1/16" JIC (Male) Bulkhead fitting - Couples with AUS36A Series - Cold Temp	1-1/16" JIC(M)	6x2x2cm   0.08kg	Cap sold separately ❄️
AUS37W-CT	Receiver Coolant 1/2" NPT (Male) - Couples with AUS36A Series - Cold Temp	1/2" NPT(M)	5x2x2cm   0.06kg	Cap sold separately ❄️
AUS36AB/H-CT	Nozzle Coolant 1-1/16" JIC (Male) Bulkhead - Couples with AUS37W Series - Cold Temp	1-1/16" JIC(M)	9x6x6cm   0.4kg	Plug sold separately ❄️
AUS36A-B-CT	Nozzle Coolant 1/2" NPT (Male) - Couples with AUS37W Series - Cold Temp	1/2" NPT(M)	8x6x6cm   0.368kg	Plug sold separately ❄️
AUS36A-CT	Nozzle Coolant 3/4" NPT (Male) - Couples with AUS37W Series - Cold Temp	3/4" NPT(M)	8x6x6cm   0.368kg	Plug sold separately ❄️

# Crankcase

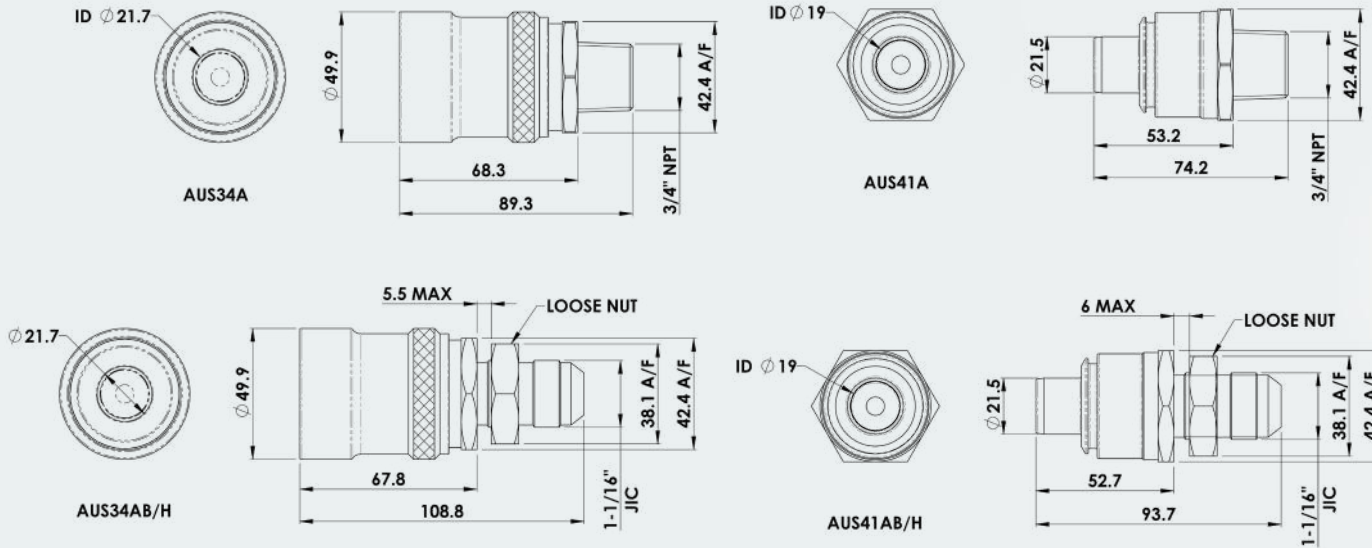


Part Number	Product Description	Tech Specs - A	Shipping - Dimensions & Weight	Items Included
AUS27W	Receiver Crankcase 3/4" NPT (Male) - Couples with AUS29L & AUS29W Series	3/4" NPT(M)	8x5x5cm   0.231kg	Cap sold separately
AUS27W-B	Receiver Crankcase 1/2" NPT (Male) - Couples with AUS29L & AUS29W Series	1/2" NPT(M)	7x5x5cm   0.21kg	Cap sold separately
AUS27WB/H	Receiver Crankcase 1-1/16" JIC (Male) Bulkhead fitting - Couples with AUS29L & AUS29W Series	1-1/16" JIC(M)	9x5x5cm   0.32kg	Cap sold separately
AUS27W-C	Receiver Crankcase Cap to suit AUS27W Series	CAP	13x7x7cm   0.046kg	
AUS29L	Nozzle Crankcase with Lanyard 3/4" NPT (Male) - Couples with AUS27W Series	3/4" NPT(M)	8x6x6cm   0.48kg	Plug sold separately
AUS29LB/H	Nozzle Crankcase with Lanyard Bulkhead 1-1/16" JIC (Male) - Couples with AUS27W Series	1-1/16" JIC(M)	9x6x6cm   0.5kg	Plug sold separately
AUS29W	Nozzle Crankcase 3/4" NPT (Male) - Couples with AUS27W Series	3/4" NPT(M)	8x5x5cm   0.493kg	Plug sold separately
AUS29W-B	Nozzle Crankcase 1/2" NPT (Male) - Couples with AUS27W Series	1/2" NPT(M)	7x6x6cm   0.46kg	Plug sold separately
AUS29WB/H	Nozzle Crankcase Bulkhead 1-1/16" JIC (Male) - Couples with AUS27W Series	1-1/16" JIC(M)	9x5x5cm   0.5kg	Plug sold separately
AUS29W-P	Nozzle Crankcase Plug to suit AUS29 Series	PLUG	9x5x5cm   0.03kg	
AUS27WB/H-CT	Receiver Crankcase 1-1/16" JIC (Male) Bulkhead fitting - Couples with AUS29L & AUS29W Series - Cold Temp	1-1/16" JIC(M)	9x5x5cm   0.32kg	Cap sold separately ❄️
AUS27W-B-CT	Receiver Crankcase 1/2" NPT (Male) - Couples with AUS29L & AUS29W Series - Cold Temp	1/2" NPT(M)	7x5x5cm   0.21kg	Cap sold separately ❄️
AUS27W-CT	Receiver Crankcase 3/4" NPT (Male) - Couples with AUS29L & AUS29W Series - Cold Temp	3/4" NPT(M)	7x5x5cm   0.25kg	Cap sold separately ❄️
AUS29LB/H-CT	Nozzle Crankcase with Lanyard Bulkhead 1-1/16" JIC (Male) - Couples with AUS27W Series - Cold Temp	1-1/16" JIC(M)	9x6x6cm   0.5kg	Plug sold separately ❄️
AUS29L-CT	Nozzle Crankcase with Lanyard 3/4" NPT (Male) - Couples with AUS27W Series - Cold Temp	3/4" NPT(M)	8x6x6cm   0.48kg	Plug sold separately ❄️
AUS29WB/H-CT	Nozzle Crankcase Bulkhead 1-1/16" JIC (Male) - Couples with AUS27W Series - Cold Temp	1-1/16" JIC(M)	9x5x5cm   0.5kg	Plug sold separately ❄️
AUS29W-B-CT	Nozzle Crankcase 1/2" NPT (Male) - Couples with AUS27W Series - Cold Temp	1/2" NPT(M)	7x6x6cm   0.46kg	Plug sold separately ❄️
AUS29W-CT	Nozzle Crankcase 3/4" NPT (Male) - Couples with AUS27W Series - Cold Temp	3/4" NPT(M)	8x5x5cm   0.493kg	Plug sold separately ❄️

# Hydraulic

## NOZZLES

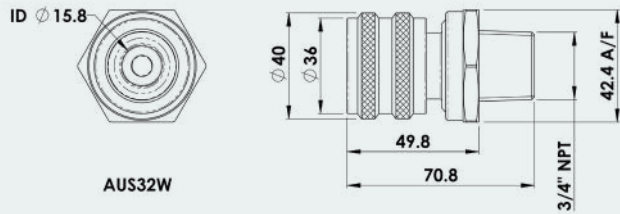
## RECEIVERS



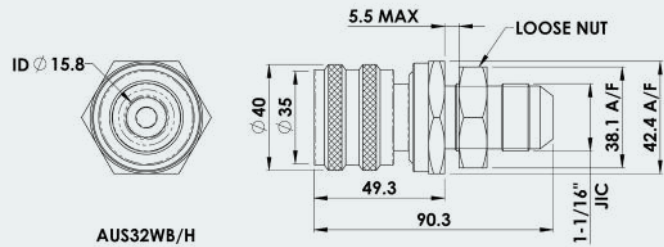
Part Number	Product Description	Tech Specs	Shipping - Dimensions & Weight	Items Included
AUS41A	Receiver Hydraulic 3/4" NPT (Male) Couples with AUS34A Series	3/4" NPT(M)	8x5x5cm   0.313kg	Cap sold separately
AUS41AB/H	Receiver Hydraulic Bulkhead 1-1/16" JIC (Male), Couples with AUS34A Series	1-1/16" JIC(M)	9x5x5cm   0.402kg	Cap sold separately
AUS41A-C	Receiver Hydraulic Cap to suit AUS41A Series	CAP	10x5x4cm   0.038kg	
AUS34A	Nozzle Hydraulic 3/4" NPT (Male) - Couples with AUS41A Series	3/4" NPT(M)	10x6x6cm   0.67kg	Plug sold separately
AUS34AB/H	Nozzle Hydraulic Bulkhead 1-1/16" JIC (Male) - Couples with AUS41A Series	1-1/16" JIC(M)	11x6x6cm   0.66kg	Plug sold separately
AUS34A-P	Nozzle Plug to suit AUS34A Series	PLUG	7x10x3cm   0.035kg	
AUS41AB/H-CT	Receiver Hydraulic Bulkhead 1-1/16" JIC (Male), Couples with AUS34A Series - Cold Temp	1-1/16" JIC(M)	9x5x5cm   0.402kg	Cap sold separately ❄️
AUS41A-CT	Receiver Hydraulic 3/4" NPT (Male) Couples with AUS34A Series - Cold Temp	3/4" NPT(M)	8x5x5cm   0.3125kg	Cap sold separately ❄️
AUS34AB/H-CT	Nozzle Hydraulic Bulkhead 1-1/16" JIC (Male) - Couples with AUS41A Series - Cold Temp	1-1/16" JIC(M)	11x6x6cm   0.66kg	Plug sold separately ❄️
AUS34A-CT	Nozzle Hydraulic 3/4" NPT (Male) - Couples with AUS41A Series - Cold Temp	3/4" NPT(M)	10x6x6cm   0.67kg	Plug sold separately ❄️

# Transmission

## NOZZLES

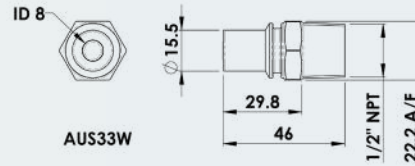


AUS32W

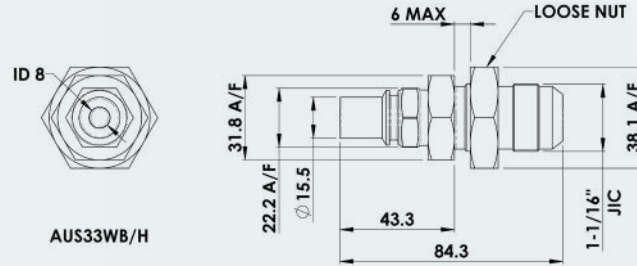


AUS32WB/H

## RECEIVERS



AUS33W



AUS33WB/H

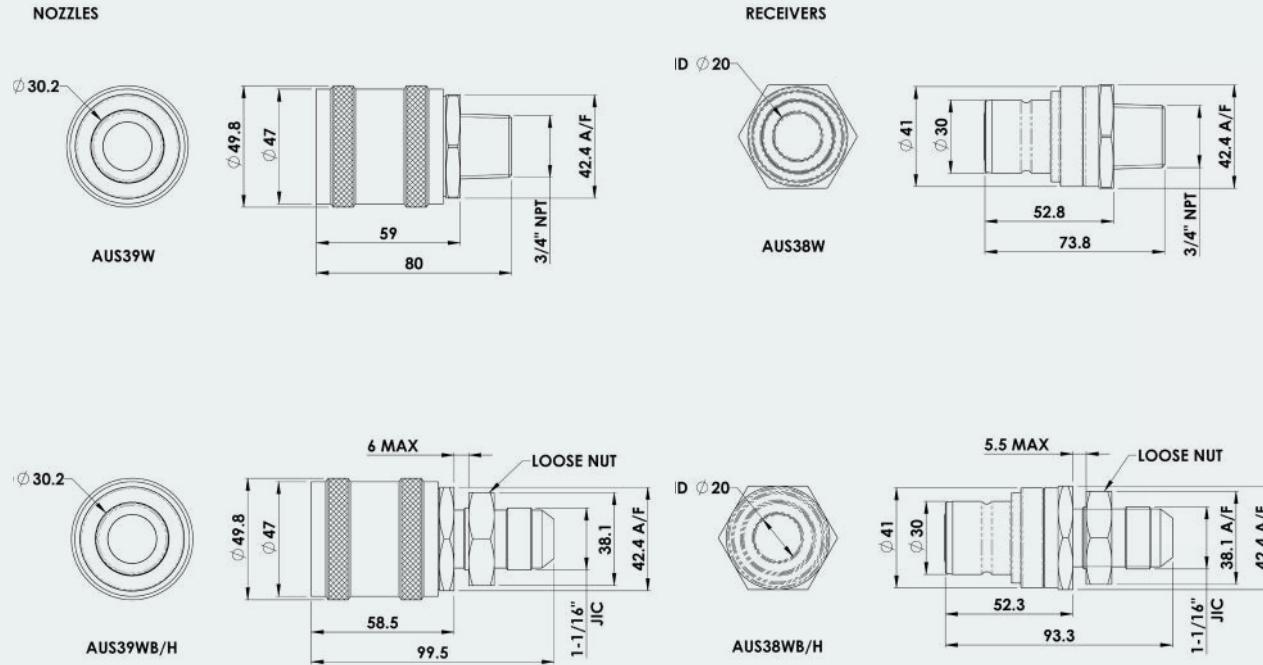


AUS32W

AUS33W

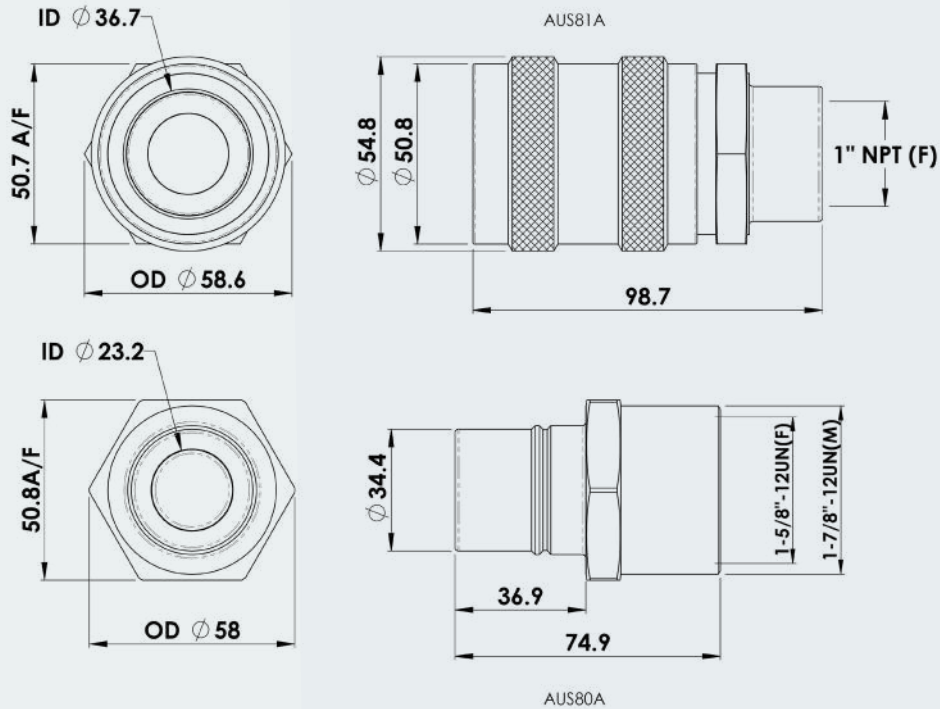
Part Number	Product Description	Tech Specs	Shipping - Dimensions & Weight	Items Included
AUS33W	Receiver Transmission 1/2" NPT (Male) - Couples with AUS32W Series	1/2" NPT(M)	10x7x3cm   0.060kg	Cap sold separately
AUS33WB/H	Receiver Transmission Bulkhead 1-1/16" JIC (Male) - Couples with AUS32W Series	1-1/16" JIC(M)	11x7x3cm   0.231kg	Cap sold separately
AUS33W-C	Receiver Transmission Cap to suit AUS33W Series	CAP	10x7x3cm   0.033kg	
AUS32W	Nozzle Transmission 3/4" NPT (Male) - Couples with AUS33W Series	3/4" NPT(M)	7x5x5cm   0.365kg	Plug sold separately
AUS32W-B	Nozzle Transmission 1/2" NPT (Male) - Couples with AUS33W Series	1/2" NPT(M)	7x5x5cm   0.365kg	Plug sold separately
AUS32WB/H	Nozzle Transmission Bulkhead 1-1/16" JIC (Male) - Couples with AUS33W Series	1-1/16" JIC(M)	8x5x5cm   0.4kg	Plug sold separately
AUS32W-P	Nozzle Transmission Plug to suit AUS32W Series	PLUG	10x6x1cm   0.02kg	
AUS33WB/H-CT	Receiver Transmission Bulkhead 1-1/16" JIC (Male) - Couples with AUS32W Series - Cold Temp	1-1/16" JIC(M)	11x7x3cm   0.231kg	Cap sold separately ❄️
AUS33W-CT	Receiver Transmission 1/2" NPT (Male) - Couples with AUS32W Series - Cold Temp	1/2" NPT(M)	10x7x3cm   0.060kg	Cap sold separately ❄️
AUS32WB/H-CT	Nozzle Transmission Bulkhead 1-1/16" JIC (Male) - Couples with AUS33W Series - Cold Temp	1-1/16" JIC(M)	8x5x5cm   0.4kg	Plug sold separately ❄️
AUS32W-B-CT	Nozzle Transmission 1/2" NPT (Male) - Couples with AUS33W Series - Cold Temp	1/2" NPT(M)	7x5x5cm   0.365kg	Plug sold separately ❄️
AUS32W-CT	Nozzle Transmission 3/4" NPT (Male) - Couples with AUS33W Series - Cold Temp	3/4" NPT(M)	7x5x5cm   0.365kg	Plug sold separately ❄️

# Push-to-Connect



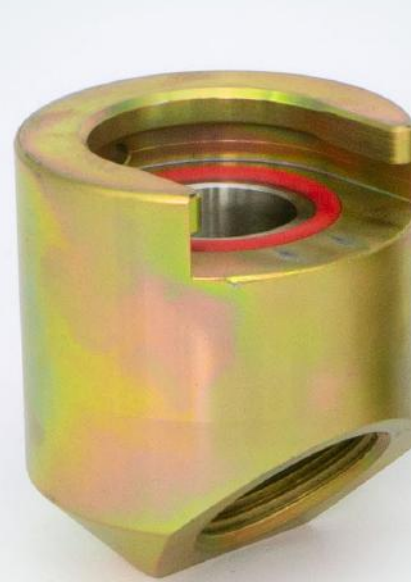
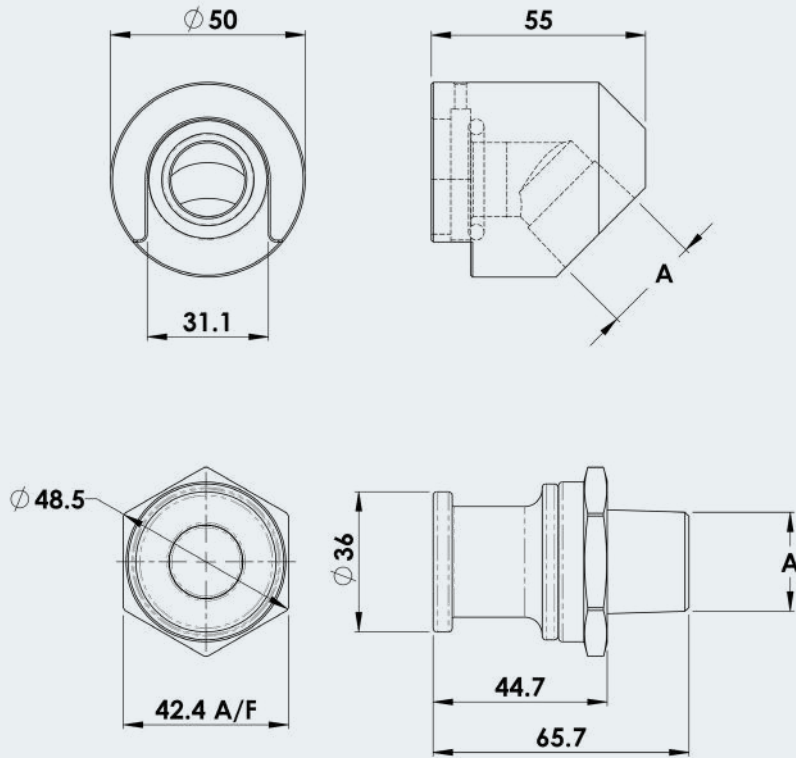
Part Number	Product Description	Tech Specs	Shipping - Dimensions & Weight	Items Included
AUS38WB/H	Receiver Push-to-Connect Bulkhead 1-1/16" JIC (Male), Couples with AUS39W Series	1-1/16" JIC(M)	9x5x5cm   0.31kg	Cap sold separately
AUS38W	Receiver Push-to-Connect 3/4" NPT (Male), Couples with AUS39W Series	3/4" NPT(M)	8x5x5cm   0.292kg	Cap sold separately
AUS38W-C	Receiver Push-to-Connect Cap to suit AUS38W Series	CAP	10x7x4cm   0.04kg	
AUS39W	Nozzle Push-to-Connect 3/4" NPT (Male), Couples with AUS38 Series	3/4" NPT(M)	9x5x5cm   0.58kg	
AUS39WB/H	Nozzle Push-to-Connect Bulkhead 1-1/16" JIC (Male), Couples with AUS38 Series	1-1/16" JIC(M)	10x5x5cm   0.6kg	
AUS38WB/H-CT	Receiver Push-to-Connect Bulkhead 1-1/16" JIC (Male), Couples with AUS39W Series - Cold Temp	1-1/16" JIC(M)	9x5x5cm   0.31kg	Cap sold separately ❄️
AUS38W-CT	Receiver Push-to-Connect 3/4" NPT (Male), Couples with AUS39W Series - Cold Temp	3/4" NPT(M)	8x5x5cm   0.292kg	Cap sold separately ❄️
AUS39WB/H-CT	Nozzle Push-to-Connect Bulkhead 1-1/16" JIC (Male), Couples with AUS38 Series - Cold Temp	1-1/16" JIC(M)	10x5x5cm   0.6kg	❄️
AUS39W-CT	Nozzle Push-to-Connect 3/4" NPT (Male), Couples with AUS38 Series - Cold Temp	3/4" NPT(M)	9x5x5cm   0.58kg	❄️

# R Series



Part Number	Product Description	Tech Specs	Shipping - Dimensions & Weight	Items Included
AUS80A	Receiver, Wiggins R18 equivalent receiver to suit AUS81A Nozzle	1.875-12UN-2A, 1.625-12UN-2B	10x6x6cm   0.36kg	Cap sold separately
AUS80A-C	Receiver Cap to suit AUS80A	CAP	10x5x5cm   0.057kg	
AUS81A	Nozzle, Wiggins R17 equivalent Nozzle to suit AUS80A Receiver	1" NPT(F)	10x5x5cm   0.8kg	Plug sold separately
AUS81A-P	Nozzle Plug to suit AUS81A	PLUG	8x6x3cm   0.049kg	

# Grease



AUSGN



AUSGR

Part Number	Product Description	Tech Specs - A	Shipping - Dimensions & Weight	Items Included
AUSGRN	Receiver Grease 3/8" NPT (Male)	3/8" NPT(M)	6x5x5cm   0.21kg	Cap sold separately
AUSGRB	Receiver Grease 1/2" NPT (Male)	1/2" NPT(M)	7x5x5cm   0.22kg	Cap sold separately
AUSGR	Receiver Grease 3/4" NPT (Male)	3/4" NPT(M)	8x5x6cm   0.244kg	Cap sold separately
AUSGRB/H	Receiver Grease Bulkhead 1-1/16" JIC (Male) - Couples with AUSGN	1-1/16" JIC(M)	8x5x5cm   0.4kg	Cap sold separately
AUSGRC	Receiver Cap to suit AUSGR Series	CAP	10x7x5cm   0.046kg	
AUSGN	Nozzle Grease 3/4" NPT (Female)	3/4" NPT(F)	6x5x5cm   0.49kg	Plug sold separately
AUSGNP	Nozzle Plug to suit AUSGN	PLUG	10x6x3cm   0.041kg	



# Fuel Management

Banlaw has been planning, designing, manufacturing, and deploying hydrocarbon infrastructure projects of all sizes, worldwide, for over 40 years.

Our Fuel Management customers secure, monitor, transfer and dispense over 1,000,000,000 litres of fluids per month with reconciliation rates >99.5%.

We are the only OEM in the world to manufacture a complete fluid management solution, including Auto ID refuelling hardware, fixed or mobile field Controllers, enterprise-class Resource Management Software, and built infrastructure for total fluid asset control. By specialising in all aspects of fluid transfer and management, Banlaw has gained the expertise to design solutions that meet the needs of all industrial organisations, big and small.

## Go to

### Field Controllers

[ResTrack Xpress](#)

### Connected Hardware

[Dry Break Auto ID](#)

[Splash Fill Auto ID](#)

[Long Range RFID](#)

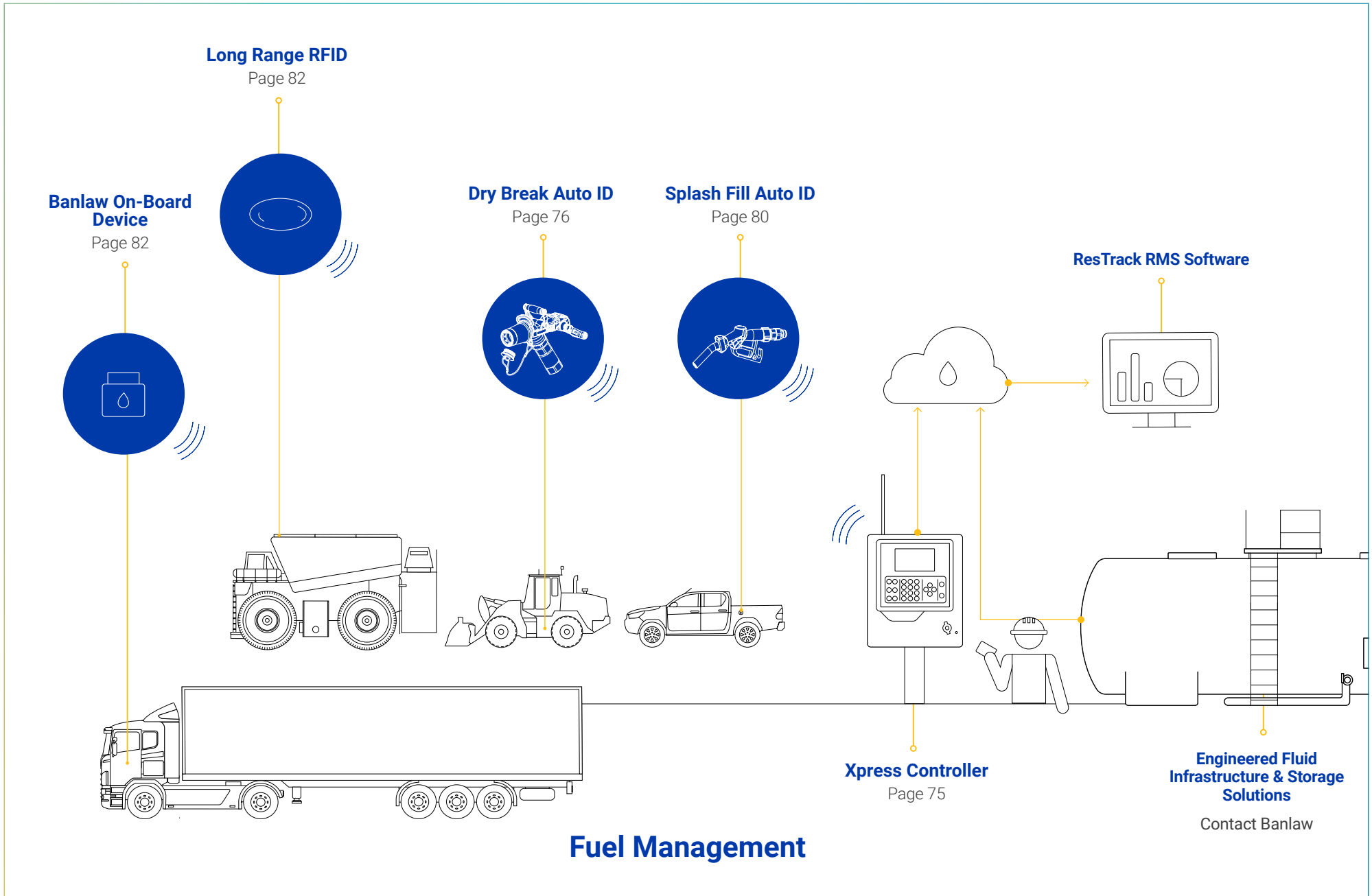
[Banlaw On-Board Device](#)



### Banlaw Xpress

Managing many fluids for many industries.





# Fuel Management

Contact Banlaw

## Field Controllers - ResTrack Xpress

The Xpress Controller is the central on-site component in a complete Fuel Management System.

This field controller is a cost-effective liquid management device built to withstand harsh operating environments, provide ease of use, and deliver Secure Fuel Inventory Monitoring and Control.

The Xpress Controller can interface with industry-best fluid security and data collection technologies, and seamlessly connects with our cloud or locally-hosted Fluid Resource Management Software. It provides real-time actionable insights for your operations and delivers many enterprise-level capabilities at an affordable price.



BRTXPCS1A



BFTDS13

Part Number	Product Description	Tech Specs	Shipping - Dimensions & Weight
BRTXPC111	ResTrack Xpress Controller - 1 x FTP	BOLT ON	46x47x25cm   17kg
BRTXPC112	ResTrack Xpress Controller - 1 x FTP - Tank Gauging	BOLT ON	46x47x25cm   17kg
BRTXPC121	ResTrack Xpress Controller - 2 x FTP	BOLT ON	46x47x25cm   17kg
BRTXPC122	ResTrack Xpress Controller - 2 x FTP - Tank Gauging	BOLT ON	46x47x25cm   17kg
BRTXPC131	ResTrack Xpress Controller - 3 x FTP	BOLT ON	46x47x25cm   17kg
BRTXPC132	ResTrack Xpress Controller - 3 x FTP - Tank Gauging	BOLT ON	46x47x25cm   17kg
BRTXPC141	ResTrack Xpress Controller - 4 x FTP	BOLT ON	46x47x25cm   17kg
BRTXPC142	ResTrack Xpress Controller - 4 x FTP - Tank Gauging	BOLT ON	46x47x25cm   17kg
BRTXPC211	ResTrack Xpress Controller - 1 x FTP (USA)	BOLT ON	46x47x25cm   17kg
BRTXPC212	ResTrack Xpress Controller - 1 x FTP (USA) - Tank Gauging	BOLT ON	46x47x25cm   17kg
BRTXPC221	ResTrack Xpress Controller - 2 x FTP (USA)	BOLT ON	46x47x25cm   17kg
BRTXPC222	ResTrack Xpress Controller - 2 x FTP (USA) - Tank Gauging	BOLT ON	46x47x25cm   17kg
BRTXPC231	ResTrack Xpress Controller - 3 x FTP (USA)	BOLT ON	46x47x25cm   17kg
BRTXPC232	ResTrack Xpress Controller - 3 x FTP (USA) - Tank Gauging	BOLT ON	46x47x25cm   17kg
BRTXPC241	ResTrack Xpress Controller - 4 x FTP (USA)	BOLT ON	46x47x25cm   17kg
BRTXPC242	ResTrack Xpress Controller - 4 x FTP (USA) - Tank Gauging	BOLT ON	46x47x25cm   17kg

### Controller Accessories

Part Number	Product Description	Tech Specs	Shipping - Dimensions & Weight
BFTDS13	Depot Stand, Single, 383H x 432W Bolt Pattern, c/w Ancillary	BOLT ON	211x52x30cm   25kg
BRTXPCS1A	ResTrack Xpress Controller Shade	BOLT ON	66x75x22cm   23k
BRTXPCRD	ResTrack Xpress Cardax Card Reader	BOLT ON	20x20x14cm   3.5kg



Fuel Management

# Dry Break Auto ID

Banlaw is the world's only manufacturer of direct-contact based Automatic Identification Fuel Management Systems. These systems take the human error out of recording fuel transactions, guaranteeing that fuel authorised by the Banlaw ResTrack™ System is going into exactly the right fuel tank.

No other form of identification such as fallible manual entry, swipe cards, or Long Range RFID methods are required. Simply refuel as usual and let the Banlaw ResTrack™ system take care of the fuel reconciliation.

Many Banlaw refuelling products are available with integrated Auto ID functionality in addition to their premium fluid transfer and safety functionality.

Go to

[Dry Break Nozzle - Auto ID](#)

[Dry Break Receiver - Auto ID](#)

[Wireless Swivel - Auto ID](#)

[Fillsafe Zero - Auto ID](#)

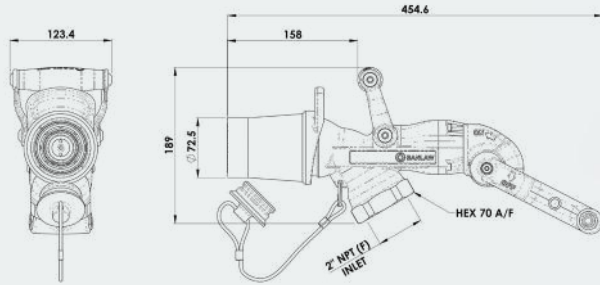


BNMF800M

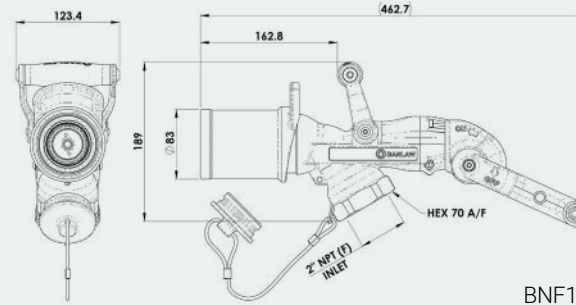
BRT34WSA

BFT23KS

## Dry Break Nozzle - Auto ID



BNMF800M

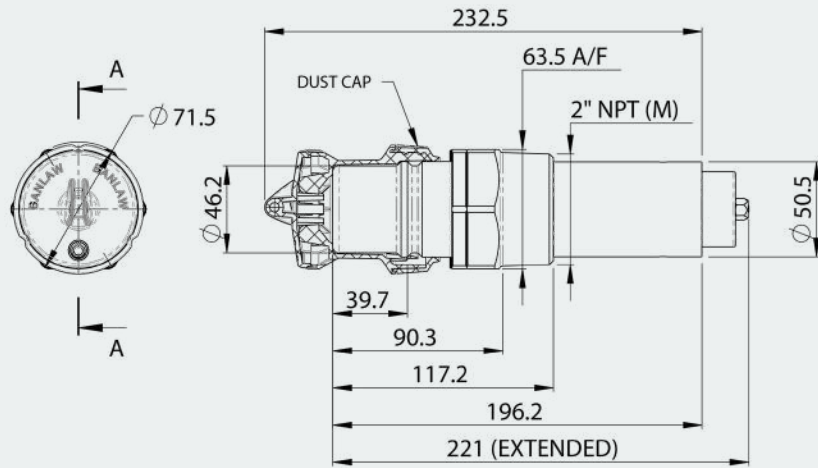


BNF1000M



Part Number	Product Description	Tech Specs	Shipping - Dimensions & Weight	Items Included
BNMF800L	FuelTrack 800lpm Series Diesel Refuelling Nozzle - Light Spring Setting	2" NPT(F), LT	48x20x12cm   3.9kg	Includes Plug
BNMF800ML	FuelTrack 800lpm Series Diesel Refuelling Nozzle - Medium/Light Spring Setting	2" NPT(F), MED LT	48x20x12cm   3.9kg	Includes Plug
BNMF800M	FuelTrack 800lpm Series Diesel Refuelling Nozzle - Medium Spring Setting	2" NPT(F), MED	48x20x12cm   3.9kg	Includes Plug
BNMF800MH	FuelTrack 800lpm Series Diesel Refuelling Nozzle - Medium/Heavy Spring Setting	2" NPT(F), MED HVY	48x20x12cm   3.9kg	Includes Plug
BNMF800H	FuelTrack 800lpm Series Diesel Refuelling Nozzle - Heavy Spring Setting	2" NPT(F), HVY	48x20x12cm   3.9kg	Includes Plug
BNHF800M	FuelTrack 800lpm Series Diesel Refuelling Nozzle - Hydraulic - Medium Spring Setting	2" NPT(F), MED	48x20x12cm   3.9kg	Includes Plug
BNF1000M	FuelTrack 1000lpm Series Diesel Refuelling Nozzle - Medium Spring Setting	2" NPT(F), MED	48x20x12cm   4.22kg	Includes Plug
BNF1000MH	FuelTrack 1000lpm Series Diesel Refuelling Nozzle - Medium/Heavy Spring Setting	2" NPT(F), MED HVY	48x20x12cm   4.22kg	Includes Plug
BNF1000H	FuelTrack 1000lpm Series Diesel Refuelling Nozzle - Heavy Spring Setting	2" NPT(F), HVY	48x20x12cm   4.22kg	Includes Plug
BNF1000XH	FuelTrack 1000lpm Series Diesel Refuelling Nozzle - Extra Heavy Spring Setting	2" NPT(F), XHVVY	48x20x12cm   4.22kg	Includes Plug
BNMF800L-CT	FuelTrack 800lpm Series Diesel Refuelling Nozzle - Light Spring Setting - Cold Temp	2" NPT(F), LT	48x20x12cm   3.9kg	Includes Plug ❄️
BNMF800ML-CT	FuelTrack 800lpm Series Diesel Refuelling Nozzle - Medium/Light Spring Setting - Cold Temp	2" NPT(F), MED LT	48x20x12cm   3.9kg	Includes Plug ❄️
BNMF800M-CT	FuelTrack 800lpm Series Diesel Refuelling Nozzle - Medium Spring Setting - Cold Temp	2" NPT(F), MED	48x20x12cm   3.9kg	Includes Plug ❄️
BNMF800MH-CT	FuelTrack 800lpm Series Diesel Refuelling Nozzle - Medium/Heavy Spring Setting - Cold Temp	2" NPT(F), MED HVY	48x20x12cm   3.9kg	Includes Plug ❄️
BNMF800H-CT	FuelTrack 800lpm Series Diesel Refuelling Nozzle - Heavy Spring Setting - Cold Temp	2" NPT(F), HVY	48x20x12cm   3.9kg	Includes Plug ❄️
BNF1000M-CT	FuelTrack 1000lpm Series Diesel Refuelling Nozzle - Medium Spring Setting - Cold Temp	2" NPT(F), MED	48x20x12cm   4.22kg	Includes Plug ❄️
BNF1000MH-CT	FuelTrack 1000lpm Series Diesel Refuelling Nozzle - Medium/Heavy Spring Setting - Cold Temp	2" NPT(F), MED HVY	48x20x12cm   4.22kg	Includes Plug ❄️
BNF1000H-CT	FuelTrack 1000lpm Series Diesel Refuelling Nozzle - Heavy Spring Setting - Cold Temp	2" NPT(F), HVY	48x20x12cm   4.22kg	Includes Plug ❄️
BNF1000XH-CT	FuelTrack 1000lpm Series Diesel Refuelling Nozzle - Extra Heavy Spring Setting - Cold Temp	2" NPT(F), XHVVY	48x20x12cm   4.22kg	Includes Plug ❄️

## Dry Break Receiver - Auto ID



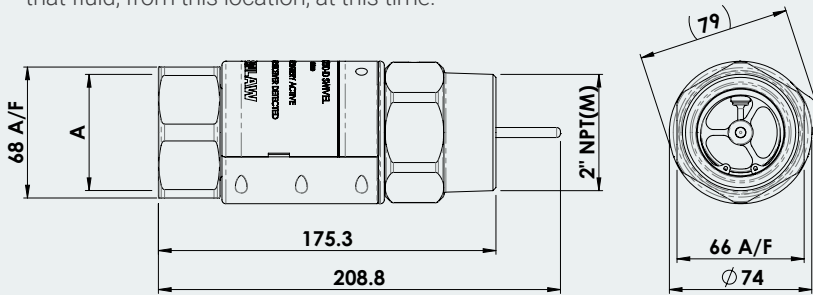
LEFT TO RIGHT: BFT23CAT / BFT43KS / BFT23KS / BFTCVR23KR2

Part Number	Product Description	Tech Specs	Shipping - Dimensions & Weight	Items Included
BFT23KLS	FuelTrack 800lpm 23 Series Receiver- Light Spring Setting	2" NPT(M), LT	13x8x8cm   1.16kg	Includes Cap
BFT23KS	FuelTrack 800lpm 23 Series Receiver- Medium Spring Setting	2" NPT(M), MED	13x8x8cm   1.16kg	Includes Cap
BFT23KH	FuelTrack 800lpm 23 Series Receiver- Heavy Spring Setting	2" NPT(M), HVY	13x8x8cm   1.16kg	Includes Cap
BFT23KCAT	FuelTrack 800lpm 23 Series CAT Receiver- Light Spring Setting	2" CODE 61, LT, CAT	13x8x8cm   1.16kg	Includes Cap
BFT23KH15	FuelTrack 800lpm 23 Series Hydraulic Receiver- Light Spring Setting	1-1/2" NPT(M), LT	13x8x8cm   1.16kg	Includes Cap
BFTCVR23KR2	FuelTrack 800lpm 23 Series Check Valve Receiver- Medium Spring Setting	2" NPT(M), MED	24x8x8cm   1.58kg	Includes Cap
BFT43KLS	FuelTrack 1000lpm 43 Series Receiver- Light Spring Setting	2" NPT(M), LT	13x6x6cm   1.36kg	Includes Cap
BFT43KS	FuelTrack 1000lpm 43 Series Receiver- Medium Spring Setting	2" NPT(M), MED	13x6x6cm   1.36kg	Includes Cap
BFT43KHS	FuelTrack 1000lpm 43 Series Receiver- Heavy Spring Setting	2" NPT(M), HVY	13x6x6cm   1.36kg	Includes Cap
BFT23KLS-CT	FuelTrack 800lpm 23 Series Receiver- Light Spring Setting - Cold Temp	2" NPT(M), LT	13x8x8cm   1.16kg	Includes Cap ❄️
BFT23KS-CT	FuelTrack 800lpm 23 Series Receiver- Medium Spring Setting - Cold Temp	2" NPT(M), MED	13x8x8cm   1.16kg	Includes Cap ❄️
BFT23KH-CT	FuelTrack 800lpm 23 Series Receiver- Heavy Spring Setting - Cold Temp	2" NPT(M), HVY	13x8x8cm   1.16kg	Includes Cap ❄️
BFT23KCAT-CT	FuelTrack 800lpm 23 Series CAT Receiver- Light Spring Setting - Cold Temp	CODE61, LT, CAT	13x8x8cm   1.16kg	Includes Cap ❄️
BFTCVR23KR2-CT	FuelTrack 800lpm 23 Series Check Valve Receiver- Medium Spring Setting - Cold Temp	2" NPT(M), MED	24x8x8cm   1.58kg	Includes Cap ❄️
BFT43KLS-CT	FuelTrack 1000lpm 43 Series Receiver- Light Spring Setting - Cold Temp	2" NPT(M), LT	13x6x6cm   1.36kg	Includes Cap ❄️
BFT43KS-CT	FuelTrack 1000lpm 43 Series Receiver- Medium Spring Setting - Cold Temp	2" NPT(M), MED	13x6x6cm   1.36kg	Includes Cap ❄️
BFT43KHS-CT	FuelTrack 1000lpm 43 Series Receiver- Heavy Spring Setting - Cold Temp	2" NPT(M), HVY	13x6x6cm   1.36kg	Includes Cap ❄️

## Wireless Swivel - Auto ID

The Banlaw SecureFill™ Dry Break Wireless Swivel is a patented, world first, wireless-enabled refuelling technology. It makes fuel management system security easier to install, maintain, and afford for businesses of all sizes.

When coupled, our Dry Break Auto ID refuelling hardware passes a machine ID signal from the receiver, through the inside of the nozzle, and then wirelessly from the swivel to a local fuel management controller within range. The system simply will not dispense if the operator and vehicle are not authorised to access that fluid, from this location, at this time.



BRT33WSA



BRTSFL100

Part Number	Product Description	Tech Specs - A	Shipping - Dimensions & Weight	Items Included
BRT33WSA	Dry-Break Wireless Swivel, 2" NPT(M) - 1-1/2" NPT(F)	1-1/2" NPT(F) - 2" NPT(M)	7x7x21   1.3kg	Inbuilt Battery
BRT34WSA	Dry-Break Wireless Swivel, 2" NPT(M) - 2" NPT(F)	2" NPT(F) - 2" NPT(M)	7x7x21   1.3kg	Inbuilt Battery
BRTSFL100	Wireless Auto ID Controller (installed adjacent to a Field Controller)	BOLT ON	20x17x9   1.0kg	

## FillSafe Zero - Auto ID

Part Number	Product Description	Tech Specs	Shipping - Dimensions & Weight	Items Included
BFTFCV50	FillSafe Zero, FuelTrack Flow control Valve, 2" NPT (M), Mining	2" NPT(M)	29x8x8cm   1.73kg	Includes Cap
BFTFCV50R	FillSafe Zero, FuelTrack Flow control Valve, 2" NPT (M) - RAIL	2" NPT(M)	29x8x8cm   1.73kg	Includes Cap
BFTFCV23	FillSafe Zero - FuelTrack Flow Control Valve (Suits 800 Series Mining Nozzle)	4" NPT(M)	17x12x12cm   2.02kg	Includes Cap
BFTFCV23R	FillSafe Zero - Flow Control Valve (Suits 800 Series FuelTrack Rail Nozzle) - RAIL	4" NPT(M)	17x12x12cm   2.02kg	Includes Cap
BFTFCV43	FillSafe Zero - Flow Control Valve (Suits 1000 Series FuelTrack Nozzle)	4" NPT(M)	17x12x12cm   2.1kg	Includes Cap
BFTFCV50-CT	FillSafe Zero, FuelTrack Flow control Valve, 2" NPT (M), Mining - Cold Temp	2" NPT(M)	29x8x8cm   1.73kg	Includes Cap
BFTFCV50R-CT	FillSafe Zero, FuelTrack Flow control Valve, 2" NPT (M) - RAIL - Cold Temp	2" NPT(M)	29x8x8cm   1.73kg	Includes Cap
BFTFCV23-CT	FillSafe Zero - FuelTrack Flow Control Valve (Suits 800 Series Mining Nozzle) - Cold Temp	4" NPT(M)	17x12x12cm   2.02kg	Includes Cap
BFTFCV23R-CT	FillSafe Zero - FuelTrack Flow Control Valve (Suits 800 Series FuelTrack Rail Nozzle) - RAIL - Cold Temp	4" NPT(M)	17x12x12cm   2.02kg	Includes Cap
BFTFCV43-CT	FillSafe Zero - FuelTrack Flow Control Valve (Suits 1000 Series FuelTrack Nozzle) - Cold Temp	4" NPT(M)	17x12x12cm   2.1kg	Includes Cap

## Fuel Management

# Splash Fill Auto ID

Banlaw's SecureFill Splash Fill Auto ID solution offers premium fluid security and process automation enhancements for tanks that are splash filled via a fuel tank filler neck.

Our Splash Fill Auto ID hardware is commonly installed for use with commercial fleets, construction vehicles, buses, trucks, and smaller agricultural or mining equipment.

Splash Fill Vehicle Tags or Rings are installed adjacent to the fuel tank filler neck on your vehicles and stationary equipment. This allows your fleet assets to be securely identified by a Nozzle Chip Reader that is installed on the Splash Fill Nozzle. The equipment ID signal is then transmitted wirelessly to a Gateway Terminal adjacent to your onsite fuel management controller.

Go to

[Splash Fill Nozzle - Auto ID](#)

[Splash Fill Reader - Auto ID](#)

[Splash Fill Vehicle Tag - Auto ID](#)



BRTSFL100



BRTSW36A



BRTSFL200



BRTSFL300





BRTSFL300



BRTSW36A



BRTSFL200



BRTSFL100

TOP TIP

Retrofit your existing fuel nozzles with our Splash Fill Nozzle Reader to get industry-best fuel security and 100% reconciliation to the fluid-consuming asset.

### Splash Fill Nozzle - Auto ID

Part Number	Product Description	Tech Specs	Shipping - Dimensions & Weight	Items Included
BRTSW002A	SecureFill Reader + Refuelling Nozzle, OPW 11B, 3/4" Black	3/4" NPT(F)	39x29x11   1.5kg	Nozzle+reader
BRTSW010A	SecureFill Reader + Refuelling Nozzle, OPW 11BP, 3/4" Yellow	3/4" NPT(F)	39x29x11   1.5kg	Nozzle+reader
BRTSW018A	SecureFill Reader + Refuelling Nozzle, OPW 7H, 1" Black	1" NPT(F)	39x29x11   1.5kg	Nozzle+reader
BRTSW026A	SecureFill Reader + Refuelling Nozzle, OPW 11B, 3/4", Green	3/4" NPT(F)	39x29x11   1.5kg	Nozzle+reader
BRTSW030A	SecureFill Reader + Refuelling Nozzle, OPW 11BP, 3/4" Black	3/4" NPT(F)	39x29x11   1.5kg	Nozzle+reader
BRTSW34A	SecureFill Reader + Refuelling Nozzle, OPW 7H, 1" Green	1" NPT(F)	39x29x11   1.5kg	Nozzle+reader
BRTSW36A	SecureFill Reader + Refuelling Nozzle, ZVA, 3/4"	3/4" NPT(F)	39x29x11   1.5kg	Nozzle+reader
BRTSW38A	SecureFill Reader + Refuelling Nozzle, ZVA, 1"	1" NPT(F)	39x29x11   1.5kg	Nozzle+reader
BRTSW40A	SecureFill Reader + Refuelling Nozzle, Husky 1690, 1 1/2"	1-1/2" NPT(F)	39x29x11   1.5kg	Nozzle+reader
BRTSFL100	Wireless Auto ID Controller (installed adjacent to a Field Controller)	BOLT ON	20x17x9   1.0kg	

### Splash Fill Reader - Auto ID

Part Number	Product Description	Tech Specs	Shipping - Dimensions & Weight
BRTSFL200	SecureFill Wireless Nozzle Reader, Type 2, HID		10x14x7   0.3kg
BRTSFL100	Wireless Auto ID Controller (installed adjacent to a Field Controller)	BOLT ON	20x17x9   1.0kg

### Splash Fill Vehicle Tag - Auto ID

Part Number	Product Description	Tech Specs	Shipping - Dimensions & Weight
BRTSFL300	SecureFill Vehicle Identification Tag, Programmed, HID	STICK ON	5x5x3   0.1kg

### HID Bracket

Part Number	Product Description	Shipping - Dimensions & Weight
BRTSFL201	Bracket, 24mm, Nozzle Reader, HID	5x5x3   0.2kg
BRTSFL202	Bracket, 30.7mm, Nozzle Reader, HID	5x5x3   0.2kg
BRTSFL203	Bracket, 38mm, Nozzle Reader, HID	5x5x3   0.2kg

# Long Range RFID

Banlaw's Long Range RFID solution is all about process simplification.

Sometimes it is incredibly beneficial for a process to identify a machine, rather than a specific tank. Examples might include a Service Truck that carries 9 different types of fuels, lubricants, and service fluids. Often, such a vehicle may need to be filled simultaneously with diesel via an API coupling, with oil via another bulk transfer fitting, and with a specific weight worth of grease. Enabling fluid transfers such as these automatically, avoids operators needing to interact with the fuel management system repeatedly for authorisation. Long Range RFID is also perfect when a range of different fluid transfer coupling styles must to be used, such as in a vehicle maintenance area.

At a range of up to 40 metres, the SecureFill Long Range RFID Vehicle Tag is identified by an RFID Base Station mounted beside your site Fuel Management Controller.



001212



BRTL01



001213

## Long Range RFID Equipment Tags & Base Station

Part Number	Product Description	Tech Specs	Shipping - Dimensions & Weight
001212	SecureFill Long Range RFID Vehicle Tag (internal)	STICK ON	10x7x3cm   0.06kg
001213	SecureFill Long Range RFID Vehicle Tag (external)	SCREW ON	10x7x5cm   0.06kg
BRTL01	Receiver Base Station Assembly, LR-RFID (installed adjacent to a Field Controller)	BOLT ON	20x20x9cm   0.65kg

## Banlaw On-Board Device

The Banlaw On-Board Device is a product that collects equipment usage data such as engine hours and odometer readings and then automatically transmits this data to the onsite fuel management controller.

Combining fluid usage transaction data (such as fuel consumption) with the actual work performed by a machine allows for incredibly powerful and actionable business analytics to be generated:

- ▶ Burn rates by fleet, vehicle, shift
- ▶ Maintenance scheduling data
- ▶ Fleet size and deployment optimisation
- ▶ Theft and behaviour management

Gain the insights to pinpoint fuel waste, and improve asset reliability through early detection of consumption trends. Deploy a single unified process that gathers trustworthy data across heavy and light vehicles, stationary machines and on-road fleets.



BRTBOB

Part Number	Product Description	Tech Specs	Shipping - Dimensions & Weight
BRTBOB	Banlaw On-Board Device	SCREW ON	15x15x4cm   0.45kg

# Tools & Spare Parts

Banlaw tools and spare parts simplify the maintenance of our products and extend their serviceable life.



Go to


[Tools](#)

[Spare Parts](#)

# Tools

## Refuelling Tools

### Receiver Socket

Part Number	Product Description	Tech Specs	Shipping - Dimensions & Weight
AUSR SOCKET	800 and 1000 Series Receiver Socket Tool (excludes RAIL)	TOOL	8x8x11cm   1.5kg
AUS23SOCKET	Rail Series Receiver Socket Tool (RAIL only)	TOOL	8x8x12cm   1.5kg 

## Fluid Transfer Tools

### LubeCentral Socket

Part Number	Product Description	Tech Specs	Shipping - Dimensions & Weight
BPLRSOCKET	Socket 54mm - Suit BPLR Evac Range Receiver	TOOL	6x6x9cm   0.1kg

## Overfill Protection Tools

### Flow Control Valve Socket

Part Number	Product Description	Tech Specs	Shipping - Dimensions & Weight
BFCVSOCKET	FillSafe Zero 4" Control Valve Socket Tool	TOOL	12x12x14cm   6.2kg

### Flow Control Valve Spanner

Part Number	Product Description	Tech Specs	Shipping - Dimensions & Weight
BFCV80-007	FillSafe Zero 3" Control Valve Spanner Tool	TOOL	37x7x1   1kg

# Spare Parts

## Refuelling Kits

### Refuelling Receiver Cap

Part Number	Product Description	Tech Specs	Shipping - Dimensions & Weight
AUS23C	800lpm 23 Series Receiver Cap	CAP	9x7x7cm   0.12kg
AUS43C	Receiver Cap (Aluminum) to suit 1000 Series Receivers	CAP	9x7x7cm   0.29kg
AUS43C-CT	Receiver Cap (Aluminum) to suit 1000 Series Cold Temp Receivers	CAP	9x7x7cm   0.29kg ❄️
AUS46C	Underground 46 Series Receiver - Cap	CAP	11x7x7cm   0.15kg

### Nozzle Repair Kit [Contact your Authorised Banlaw Nozzle Repairer to organise Fuel Nozzle maintenance, repairs, and testing.](#)

Part Number	Product Description	Tech Specs	Shipping - Dimensions & Weight
AUS21A-P	800lpm Series - Nozzle Plug Assembly	PLUG	6x6x4cm   0.1kg
BNM800240A	800lpm & 1000lpm Series - Refuelling Nozzle D Handle Assembly	SPARE	10x12x3cm   0.32kg
AUS22A-P	1000lpm Series - Nozzle Plug Assembly	PLUG	7x7x4cm   0.2kg

### Break Away Valve Repair Kit

Part Number	Product Description	Tech Specs	Shipping - Dimensions & Weight	Items Included
AUS4WKIT	Break Away Valve - 2" Repair Kit	SPARE	12x10x1cm   0.07kg	Inc Studs, Chain & O-Ring
AUS4WKIT-HT	Break Away Valve - 2" Repair Kit, High Tensile*	SPARE	12x10x1cm   0.07kg	Inc Studs, Chain & O-Ring
AUS4WKIT-75	Break Away Valve - 3" Repair Kit	SPARE	12x10x1cm   0.07kg	Inc Studs, Chain & O-Ring
AUS4WKIT-75HT	Break Away Valve - 3" Repair Kit, High Tensile*	SPARE	12x10x1cm   0.07kg	Inc Studs, Chain & O-Ring
AUS4WKIT-CT	Break Away Valve - 2" Repair Kit - Cold Temp	SPARE	12x10x1cm   0.07kg	Inc Studs, Chain & O-Ring ❄️
AUS4WKIT-HT-CT	Break Away Valve - 2" Repair Kit High Tensile* - Cold Temp	SPARE	12x10x1cm   0.07kg	Inc Studs, Chain & O-Ring ❄️
AUS4WKIT-75-CT	Break Away Valve - 3" Repair Kit - Cold Temp	SPARE	12x10x1cm   0.07kg	Inc Studs, Chain & O-Ring ❄️
AUS4WKIT-75HT-CT	Break Away Valve - 3" Repair Kit High Tensile* - Cold Temp	SPARE	12x10x1cm   0.07kg	Inc Studs, Chain & O-Ring ❄️

\*High Tensile kits require an additional 18% of breaking separation force over standard. They should only be used to counteract a higher than usual pre-load force such as long heavy hoses on tall loading arms.

### Check Valve Receiver Kit

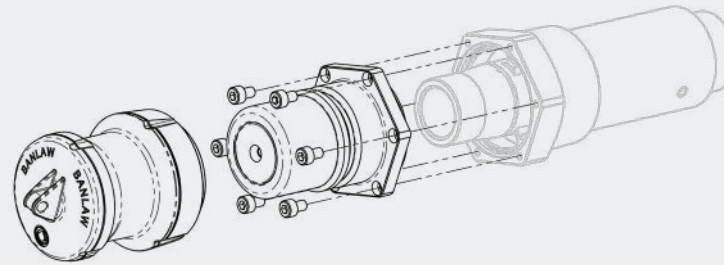
Part Number	Product Description	Tech Specs	Shipping - Dimensions & Weight	Items Included
BCVR23KIT	800lpm 23 Series Check Valve Receiver Front End Kit	SPARE	14x13x4cm   0.44kg	Includes Cap
BFTCVR23KIT	FuelTrack 800lpm 23 Series Check Valve Receiver Front End Kit	SPARE	13x13x7cm   0.44kg	Includes Cap
BCVR23KIT-CT	800lpm 23 Series Check Valve Receiver Front End Kit - Cold Temp	SPARE	14x13x4cm   0.44kg	Includes Cap ❄️
BFTCVR23KIT-CT	FuelTrack 800lpm 23 Series Check Valve Receiver Front End Kit - Cold Temp	SPARE	13x13x7cm   0.44kg	Includes Cap ❄️

### Vent Servicing Kit

Part Number	Product Description	Tech Specs	Shipping - Dimensions & Weight	Items Included
BFV225-KIT	Fine Filtered Vent Air Filter Kit 3µm (abs.) Suits BRFB01A and all BFV225 Series Vents and Breathers	KIT	14x14x17cm   1.17kg	3µm Filter, Gasket, O-ring
BP125KIT	Service Kit, BP125 Series vents, 10µm (nom.)	KIT	15x14x5cm   0.09kg	10µm Filter, O-rings, Screw

## Overfill Protection Kits

BCVR23 SERIES FRONT END KIT



### Flow Control Valve Servicing Kit

Part Number	Product Description	Shipping - Dimensions & Weight	Items Included
BFCV50-KIT	FillSafe Zero Replacement Front End Kit, Suits BFCV50 Control Valve	13x13x7cm   0.5kg	Includes Cap
BFCV50R-KIT	FillSafe Zero Replacement Front End Kit, Suits BFCV50R Control Valve	13x13x7cm   0.5kg	Includes Cap
BFTFCV50-KIT	FillSafe Zero Replacement Front End Kit, Suits BFTFCV50 Control Valve	13x13x7cm   0.5kg	Includes Cap
BFTFCV50R-KIT	FillSafe Zero Replacement Front End Kit, Suits BFTFCV50R Control Valve	13x13x7cm   0.5kg	Includes Cap
BFCV23-KIT	FillSafe Zero Replacement Front End Kit, Suits BFCV23 Control Valve	13x13x7cm   0.5kg	Includes Cap
BFCV23R-KIT	FillSafe Zero Replacement Front End Kit, Suits BFCV23R Control Valve	13x13x7cm   0.5kg	Includes Cap
BFTFCV23-KIT	FillSafe Zero Replacement Front End Kit, Suits BFTFCV23 Control Valve	13x13x7cm   0.5kg	Includes Cap
BFTFCV23R-KIT	FillSafe Zero Replacement Front End Kit, Suits BFTFCV23R Control Valve	13x13x7cm   0.5kg	Includes Cap
BFCV43-KIT	FillSafe Zero Replacement Front End Kit, Suits BFCV43 Control Valve	13x13x7cm   0.5kg	Includes Cap
BFTFCV43-KIT	FillSafe Zero Replacement Front End Kit, Suits BFTFCV43 Control Valve	13x13x7cm   0.5kg	Includes Cap
BFCV50-CT-KIT	FillSafe Zero Replacement Front End Kit, Suits BFCV50-CT Control Valve	13x13x7cm   0.5kg	Includes Cap ❄️
BFCV50R-CT-KIT	FillSafe Zero Replacement Front End Kit, Suits BFCV50R-CT Control Valve	13x13x7cm   0.5kg	Includes Cap ❄️
BFTFCV50-CT-KIT	FillSafe Zero Replacement Front End Kit, Suits BFTFCV50-CT Control Valve	13x13x7cm   0.5kg	Includes Cap ❄️
BFTFCV50R-CT-KIT	FillSafe Zero Replacement Front End Kit, Suits BFTFCV50R-CT Control Valve	13x13x7cm   0.5kg	Includes Cap ❄️
BFCV23-CT-KIT	FillSafe Zero Replacement Front End Kit, Suits BFCV23-CT Control Valve	13x13x7cm   0.5kg	Includes Cap ❄️
BFCV23R-CT-KIT	FillSafe Zero Replacement Front End Kit, Suits BFCV23R-CT Control Valve	13x13x7cm   0.5kg	Includes Cap ❄️
BFTFCV23-CT-KIT	FillSafe Zero Replacement Front End Kit, Suits BFTFCV23-CT Control Valve	13x13x7cm   0.5kg	Includes Cap ❄️
BFTFCV23R-CT-KIT	FillSafe Zero Replacement Front End Kit, Suits BFTFCV23R-CT Control Valve	13x13x7cm   0.5kg	Includes Cap ❄️
BFCV43-CT-KIT	FillSafe Zero Replacement Front End Kit, Suits BFCV43-CT Control Valve	13x13x7cm   0.5kg	Includes Cap ❄️
BFTFCV43-CT-KIT	FillSafe Zero Replacement Front End Kit, Suits BFTFCV43-CT Control Valve	13x13x7cm   0.5kg	Includes Cap ❄️

## Fuel Management Parts

### Wireless Swivel - Auto ID

Part Number	Product Description	Shipping - Dimensions & Weight	Items Included
BRTWSMA	Wireless Swivel Assembly, ResTrack (Inbuilt Battery)	7x7x7   0.3kg	Inbuilt Battery
BRT33WS01	Wireless Swivel Replacement Body, 2" NPT(M) - 1-1/2" NPT(F)	7x7x21   1.0kg	
BRT34WS01	Wireless Swivel Replacement Body, 2" NPT(M) - 2" NPT(F)	7x7x21   1.0kg	

### Swivel - Auto ID

Part Number	Product Description	Tech Specs	Shipping - Dimensions & Weight
BFT33	Swivel 2" NPT (Male) x 1-1/2" NPT (Female)	2" NPT(M), 1-1/2" NPT(F)	8x8x15cm   1.13kg
BFT34	Swivel 2" NPT (Male) 2" NPT (Female)	2" NPT(M), 2" NPT(F)	8x8x15cm   1.13kg
BFT33-CT	Swivel 2" NPT (Male) x 1-1/2" NPT (Female) - Cold Temp	2" NPT(M), 1-1/2" NPT(F)	8x8x15cm   1.13kg ❄️
BFT34-CT	Swivel 2" NPT (Male) x 2" NPT (Female) - Cold Temp	2" NPT(M), 2" NPT(F)	8x8x15cm   1.13kg ❄️

### Break Away Valve - Auto ID

Part Number	Product Description	Tech Specs	Shipping - Dimensions & Weight
BFT4WR2-50N	FuelTrack Break Away Valve - 2" NPT, Gen 2	2" NPT(M)	29x11x11cm   3.16kg
BFT4WR2-50	FuelTrack Break Away Valve - 2" BSPT, Gen 2	BSPT(M)	29x11x11cm   3.16kg
BFT4WR2-75N	FuelTrack Break Away Valve - 3" NPT, Gen 2	3" NPT(M)	29x11x11cm   5.5kg
BFT4WR2-75	FuelTrack Break Away Valve - 3" BSPT, Gen 2	3" BSPT(M)	29x11x11cm   5.5kg
BFT4WR2-50N-CT	FuelTrack Break Away Valve - 2" NPT, Gen 2 - Cold Temp	2" NPT(M)	29x11x11cm   3.16kg ❄️
BFT4WR2-50-CT	FuelTrack Break Away Valve - 2" BSPT, Gen 2, Cold Temp	2" BSPT(M)	29x11x11cm   3.16kg ❄️
BFT4WR2-75N-CT	FuelTrack Break Away Valve - 3" NPT, Gen 2 - Cold Temp	3" NPT(M)	29x11x11cm   5.5kg ❄️
BFT4WR2-75-CT	FuelTrack Break Away Valve - 3" BSPT, Gen 2 - Cold Temp	3" BSPT(M)	29x11x11cm   5.5kg ❄️

### Break Away Valve Hose Adaptor

Part Number	Product Description	Tech Specs	Shipping - Dimensions & Weight
BFT4W029	Break Away Valve Hose Adaptor 3"BSP/F - 2.5" JIC/M	3" BSPF, 2-1/2" JIC(M)	6x6x10cm   0.6kg
BFT4W030	Break Away Valve Hose Adaptor 2"BSP/F - 2.5" JIC/M	2" BSPF, 2-1/2" JIC(M)	6x6x10cm   0.6kg
BFT4W031	Break Away Valve Hose Adaptor 3"NPT/F - 2.5" JIC/M	3" NPT(F), 2-1/2" JIC(M)	6x6x10cm   0.6kg
BFT4W032	Break Away Valve Hose Adaptor 2"NPT/F - 2.5" JIC/M	2" NPT(F), 2-1/2" JIC(M)	6x6x10cm   0.6kg
BFT4W033	Break Away Valve Hose Adaptor 2" BSP/F - 1-7/8" JIC/M	2" BSPF, 1-7/8" JIC(M)	6x6x10cm   0.6kg
BFT4W034	Break Away Valve Hose Adaptor 2"NPT/F - 1-7/8" JIC/M	2" NPT(F), 1-7/8" JIC(M)	6x6x10cm   0.6kg



**Contact Banlaw today if you need to ensure that every drop ends up where you need it, when you need it.**

**We're the Fluid Asset Intelligence people.**

-  Engineered Fluid Infrastructure.
-  Automated Monitoring & Control Technologies.
-  Products designed to Fill Safe and guaranteed to last.

**Australia / International**

Telephone +61 2 4922 6300

Email [sales@banlaw.com](mailto:sales@banlaw.com)

**Americas**

Telephone +1 385 259 0456

Email [americasales@banlaw.com](mailto:americasales@banlaw.com)

**[banlaw.com](http://banlaw.com)**